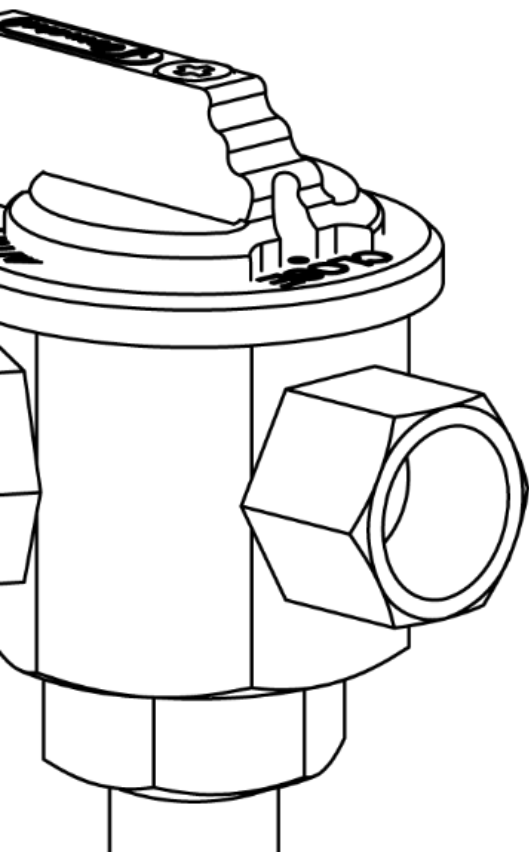


- ✓ REATON and REAPLAS three-way taps that allow to control an hydraulic valve manually. You can open, close, or insert another element such as a solenoid, relay, pilot, etc, in the "auto" position.
- ✓ "Click" sound setting in the correct position.
- ✓ ONLY SUITABLE FOR AGRICULTURAL USE

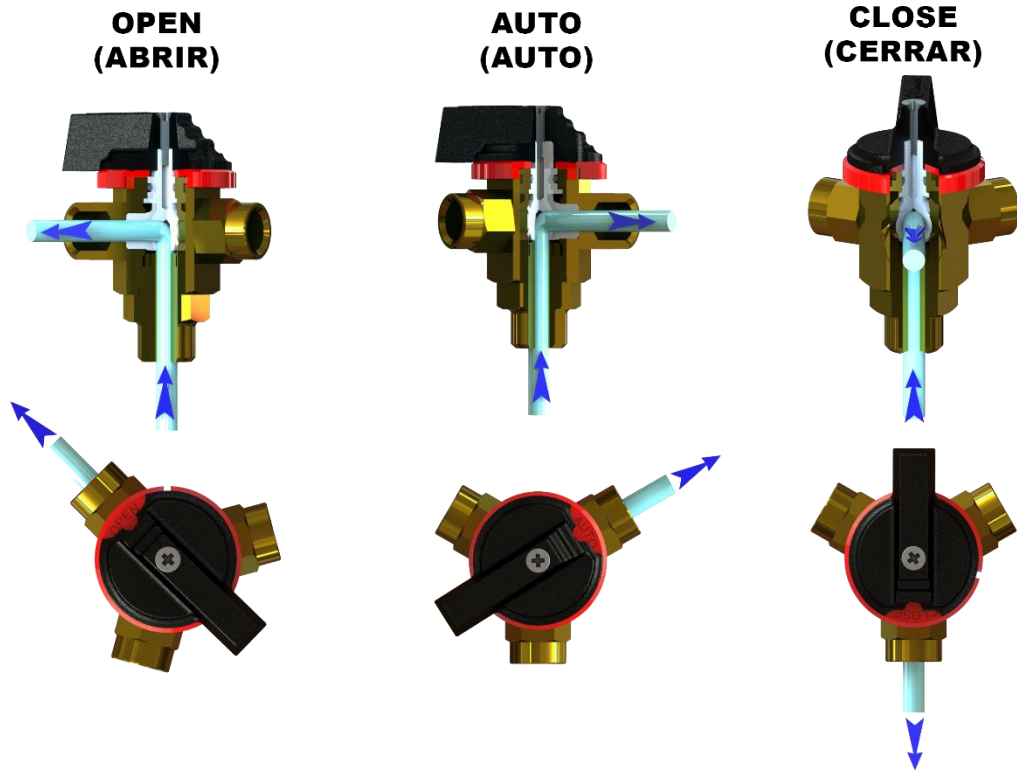


SPECIFICATIONS

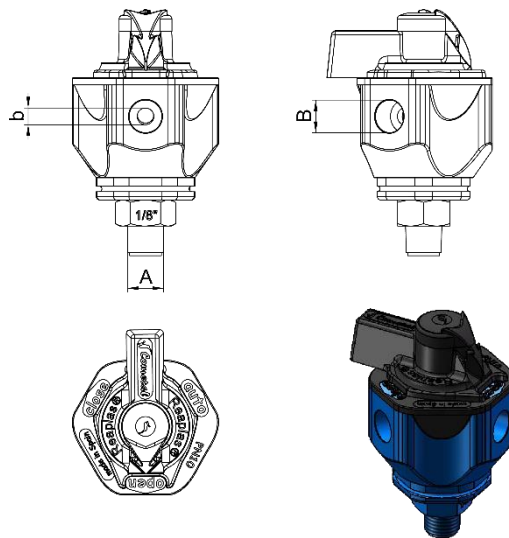
- CONNECTIONS : 1/8" and 1/4" threads.
- DESIGN: 3 way tap.
- SIZES RANGE : 2.5 and 4.5
- NOMINAL PRESSURE (bar): PN10 or PN16.
(psi): PN145 or PN232.

MATERIALS

- BODY AND LATERAL SLEEVES:
REATON®: Brass
REAPLAS®: Polyamide with fibre-glass.
- EXE:
REATON®: Nickel brass.
REAPLAS®: Teflon.
- WATERTIGHTNESS: Teflon and NBR joints..



DIMENSIONS AND WEIGHTS



MODEL	NOMINAL PRESSURE		INSIDE DIAMETER(b)		COMMON WAY CONNECTION (A)	LATERAL WAYS CONNECTION (B)	WEIGHT grames
	bar	psi	mm	pulg	GAS thread	GAS thread	
REATON [®] 2.5	16	232	2,5	0.10	1/4" male	1/8" female	128
					1/8" male	1/8" female	124
					1/4" female	1/8" female	120
REATON [®] 4.5			4,5	0.18	1/4" male	1/4" female	265
REAPLAS [®]	10	145	4,5	0.18	1/4" male	1/8" female	48
					1/4" female	1/8" female	44