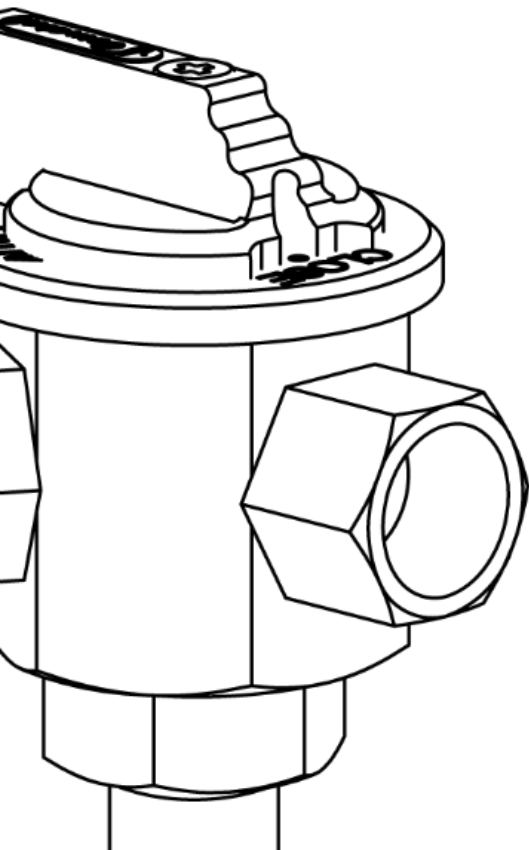


REATON[®]

- ✓ REATON three-way tap that allow to control an hydraulic valve manually. You can open, close, or insert another element such as a solenoid, relay, pilot, etc, in the "auto" position.
- ✓ "Click" sound setting in the correct position.

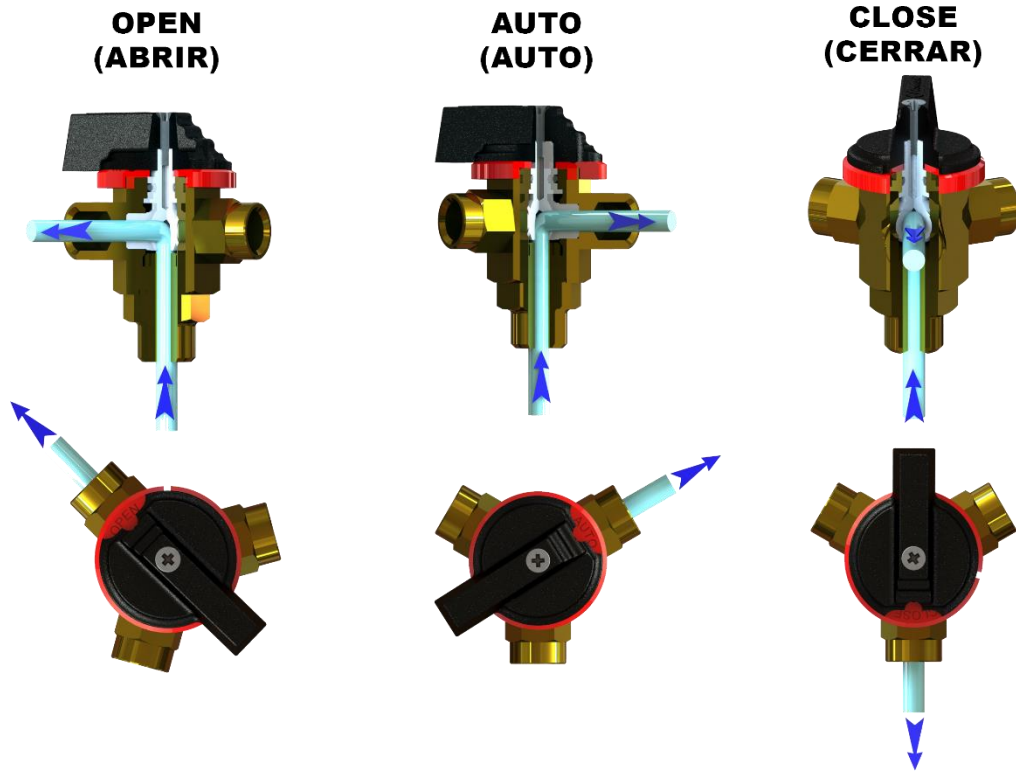


SPECIFICATIONS

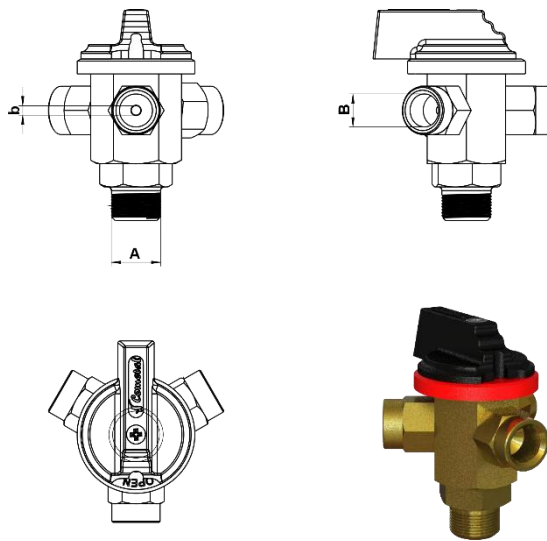
- CONNECTIONS : 1/8" and 1/4" threads.
- DESIGN: 3 way tap.
- SIZES RANGE : 2.5 and 4.5
- NOMINAL PRESSURE (bar): PN16.
(psi): PN232.

MATERIALS

- BODY AND LATERAL SLEEVES: Brass
- EXE: Nickel brass.
- WATERTIGHTNESS: Teflon and NBR joints..



DIMENSIONS AND WEIGHTS



MODEL	NOMINAL PRESSURE		INSIDE DIAMETER(b)		COMMON WAY CONNECTION (A)	LATERAL WAYS CONNECTION (B)	WEIGHT grames
	bar	psi	mm	pulg	GAS thread	GAS thread	
REATON [®] 2.5	16	232	2,5	0.10	1/4" male	1/8" female	128
					1/8" male	1/8" female	124
					1/4" female	1/8" female	120
REATON [®] 4.5			4,5	0.18	1/4" male	1/4" female	265