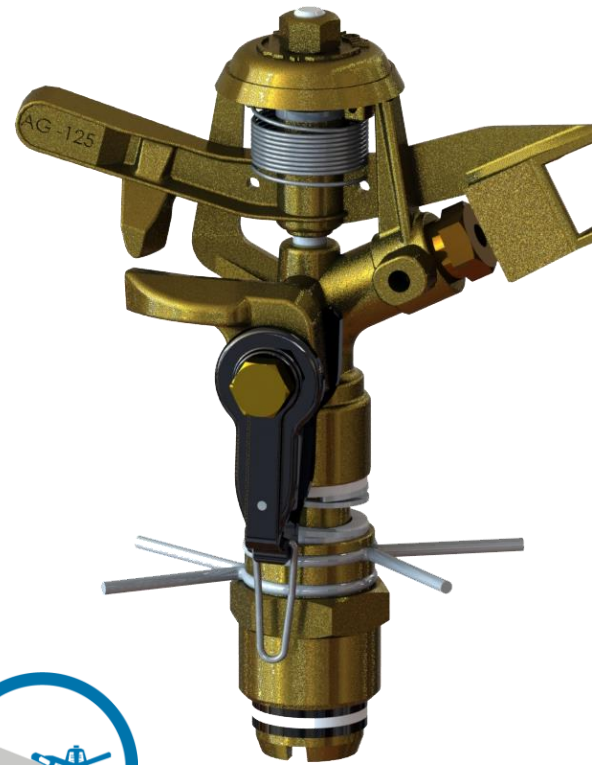


AG-125

- ✓ **UTILITY MODEL:** Thanks to the special design of the crown, we can change the tooth pressure only screwing and unscrewing the upper nut. The sprinkler is served with the adequate regulation.
- ✓ **PART CIRCLE** sprinkler
- ✓ **NOZZLES:** One brass nozzle.



CHARACTERISTICS



Conexión/Connection
1/2" BSP or NPT.
Male or female



Material/Material
Brass



Giro/Rotation
Part circle 360°



Diámetro/Diameter
26 m. aprox

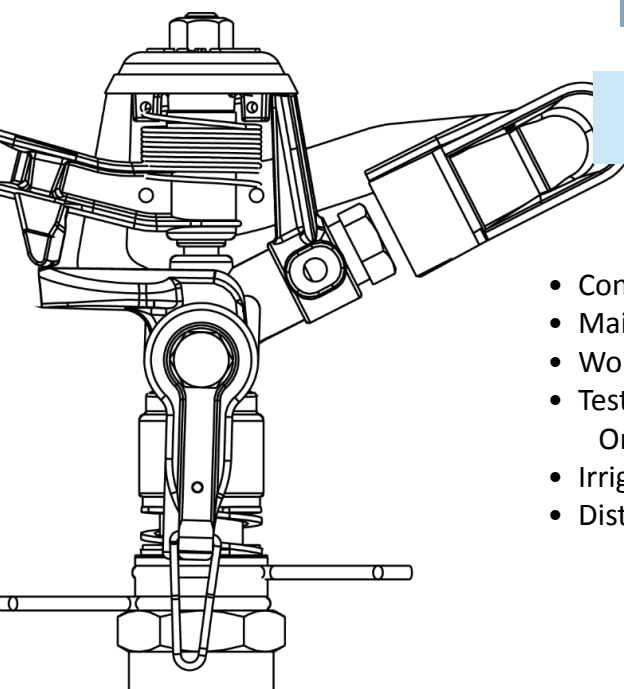


Ángulo/Angle
27°

SPECIFICATIONS

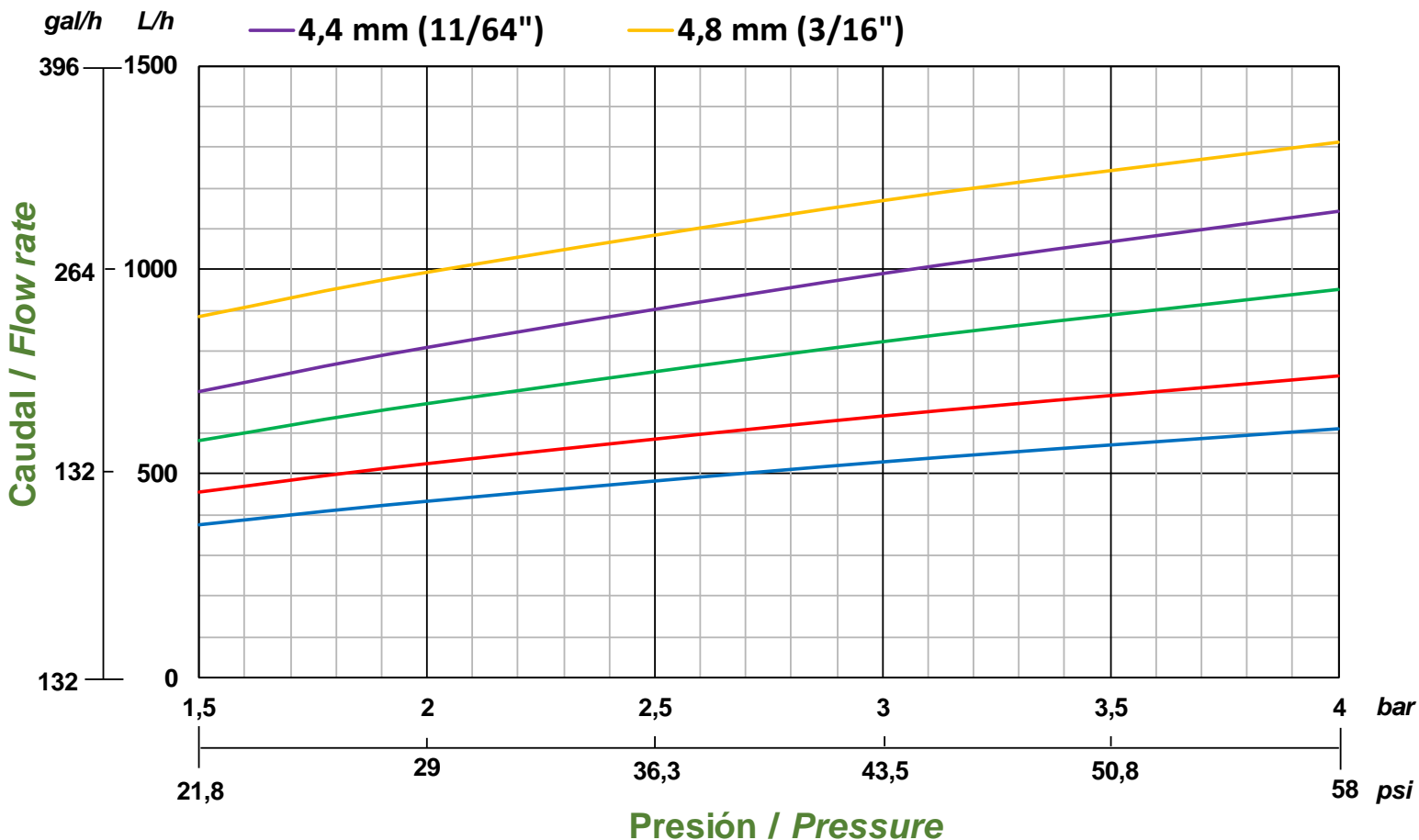
COMETAL sprinklers comply with **UNE 68072**, **15886 ISO** and **ISO 7749** standards based on general requirements and test methods.

- Connections: 1/2" BSP, NPT, male or female thread.
- Main nozzle angle: 27°.
- Working pressures range: from 150 to 400 KPa (from 21.75 to 58.00 psi).
- Testing nominal flow range:
One nozzle: 430-1.330 L/h (114-351 gph).
- Irrigation diameter: from 20,80 to 25,90 (from 68.22 to 84.95 feet).
- Distribution uniformity coefficient (CUD): until 89%.



ONE NOZZLE

- 3,2 mm (1/8")
- 3,6 mm (9/64")
- 4,0 mm (5/32")
- 4,4 mm (11/64")
- 4,8 mm (3/16")



AGROS-125 5/32" (4,0 mm)

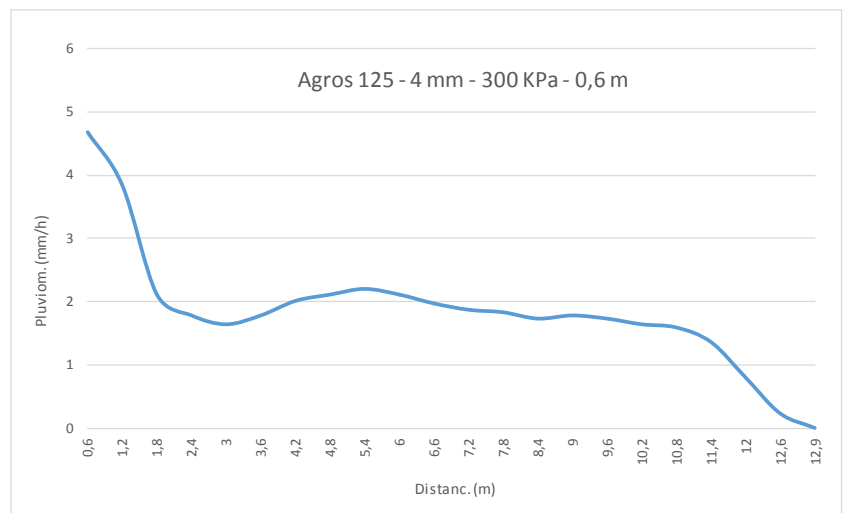
* For other combinations, consult with Technical Department

Pressure (1bar = 100 kPa)		Flow rate		Revolutions	Irrigated diameter		Irrigation frame		CUD*
kPa	psi	l/h	gpm	rpm	m	feet	m x m	feet x feet	%
400	58.00	952	3.49	1,06	25,80	84,64	12 x 12	39,37 X 39.37	84,1
							12 x 15	39.37 X 49.21	84,5
							15 x 15	49.21 X 49.21	84,4
							18 x 15T	59.05 X 49.21T	78,7
300	43.50	823	3.02	1,03	25,60	83,98	12 x 12	39,37 X 39.37	83,5
							12 x 15	39.37 X 49.21	81,5
							15 x 15	49.21 X 49.21	84,1
200	29.00	672	2.46	1,08	24,40	78,74	12 x 12	39,37 X 39.37	80,7
							12 x 15	39.37 X 49.21	75,5
							15 x 15	49.21 X 49.21	80,1

*Distribution uniformity coefficient CUD. It is used the one defined by J.E. Christiansen.

RADIAL CURVE

Trademark	Cometal
Sprinkler model	Agros 125
Nozzle(s)	4,0 mm
Working Pressure(kPa)	300
High (m)	1,0
Pluviometers numbers	21
Distance between Pluviometers (m)	0,6
First Pluviometer (m)	0,6
Air Temperature (°C)	21,6
Relative Humidity (%)	59,7
Discharge Unloaded (l/h)	823
Test duration (min)	60
Rotation Speed (min)	1,03
Reach Radio (m)	12,80



Distance	(m)	0,60	1,20	1,80	2,40	3,00	3,60	4,20	4,80	5,40	6,00	6,60	7,20	7,80
Pluviom.	(mm/h)	4,68	3,84	2,11	1,78	1,64	1,78	2,01	2,11	2,20	2,11	1,97	1,87	1,83
Distance	(m)	8,40	9,00	9,60	10,20	10,80	11,40	12,00	12,60	12,80				
Pluviom.	(mm/h)	1,73	1,78	1,73	1,64	1,59	1,36	0,80	0,23	0,00				