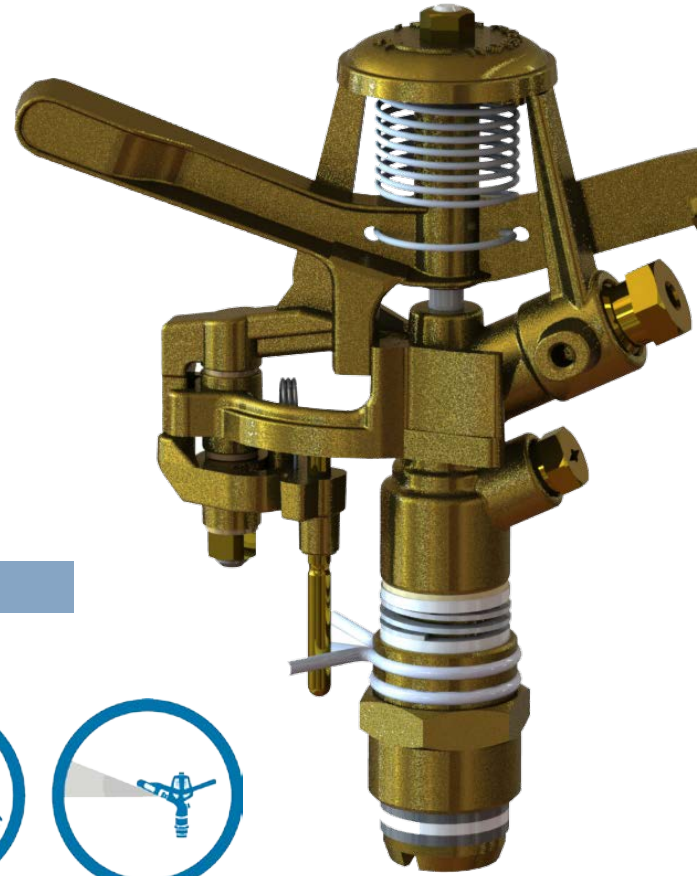


# AG-140

- ✓ **UTILITY MODEL:** Thanks to the special design of the crown, we can change the tooth pressure only screwing and unscrewing the upper nut. The sprinkler is served with the adequate regulation.
- ✓ **PART CIRCLE** sprinkler
- ✓ **NOZZLES:** One or two brass nozzles.



## CHARACTERISTICS



Conexión/Connection

¾" BSP or NPT.  
Male or female



Material/Material

Brass



Giro/Rotation

Part circle 360°



Diámetro/Diameter

30 m. aprox



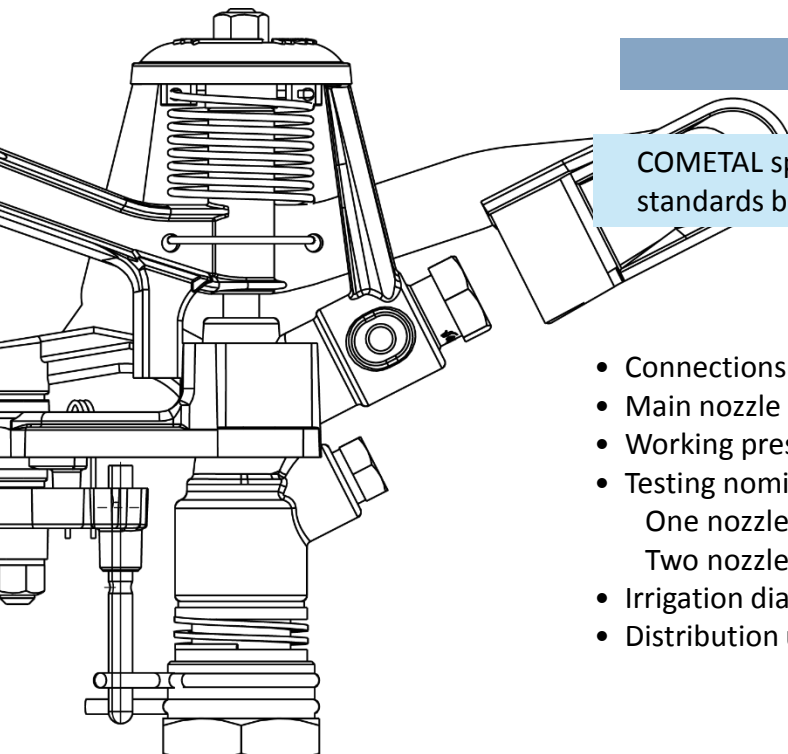
Ángulo/Angle

27°

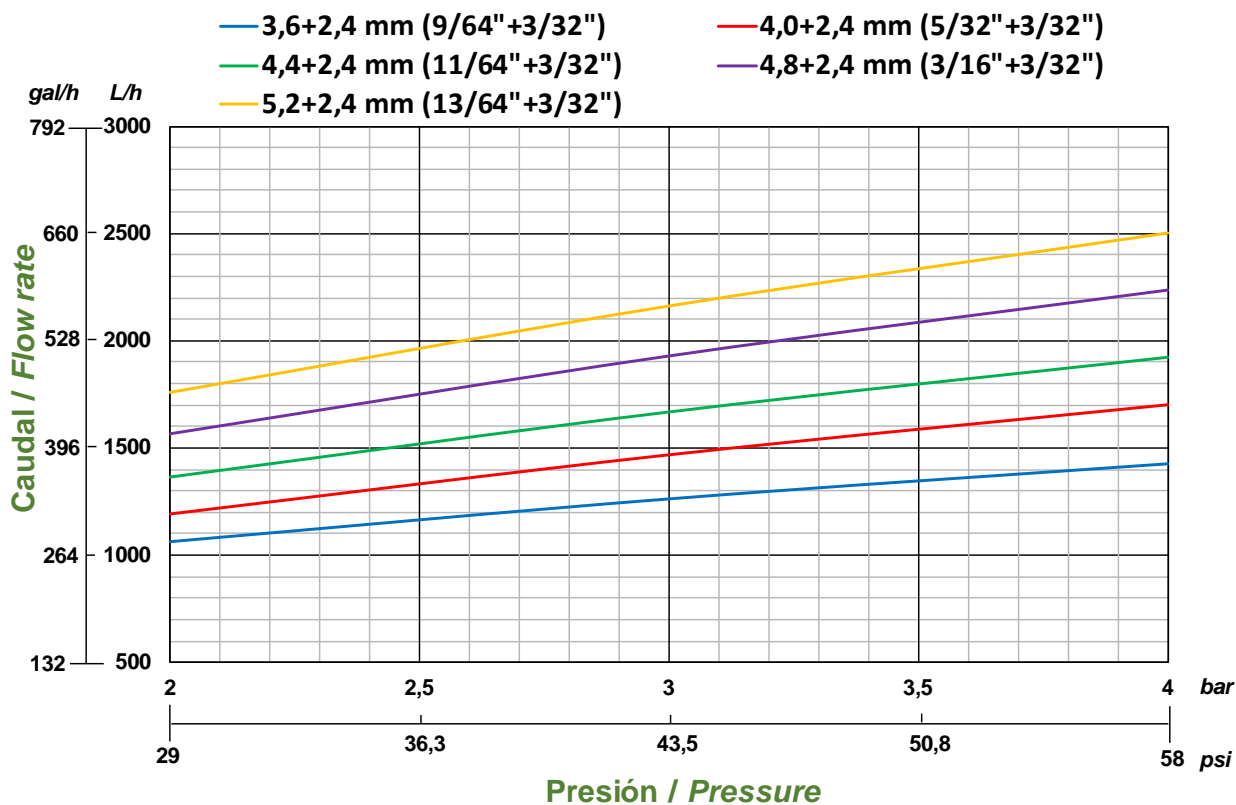
## SPECIFICATIONS

COMETAL sprinklers comply with **UNE 68072**, **15886 ISO** and **ISO 7749** standards based on general requirements and test methods.

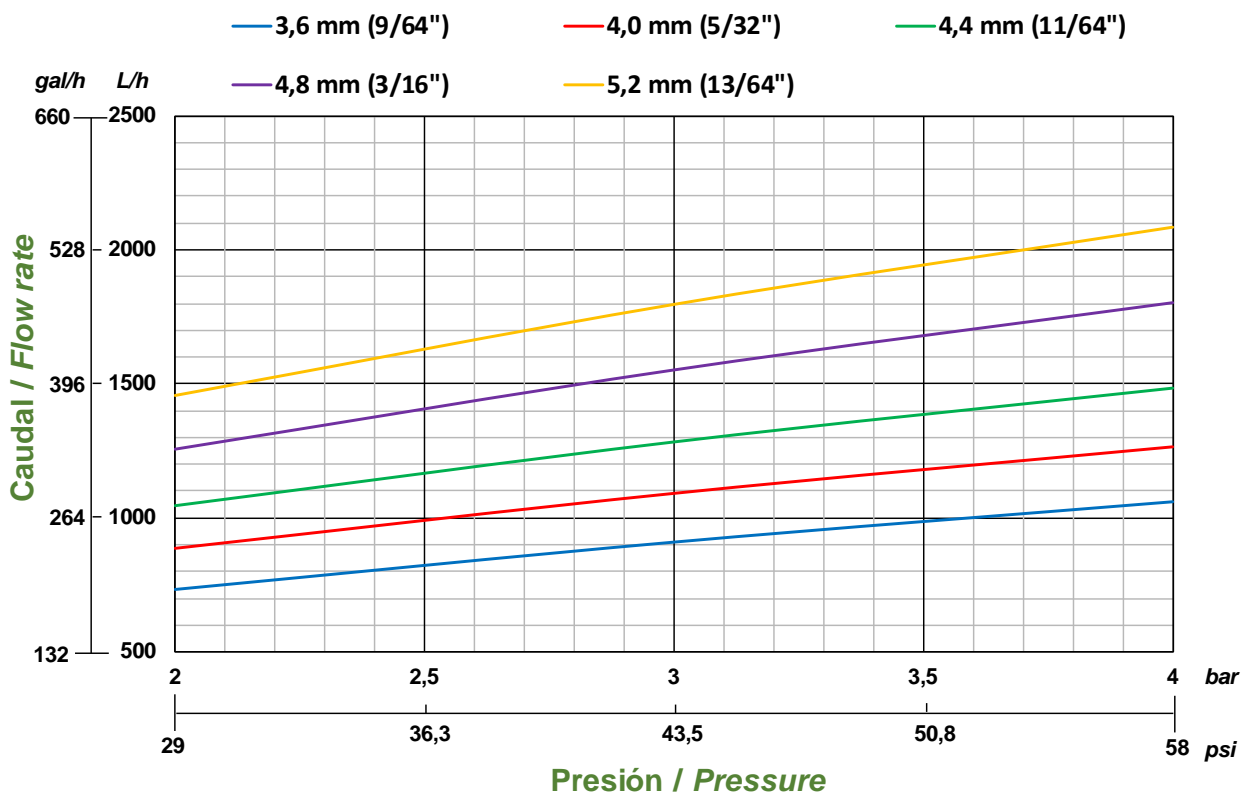
- Connections: ¾" BSP, NPT, male or female thread.
- Main nozzle angle: 27°.
- Working pressures range: from 200 to 400 KPa (from 29.00 to 58.00 psi).
- Testing nominal flow range:
  - One nozzle and plug: 735-2.080 L/h (194-549 gph).
  - Two nozzles: 1.055-2.510 L/h (279-663 gph).
- Irrigation diameter: from 25,30 to 32,60 (from 82.98 to 106.93 feet).
- Distribution uniformity coefficient (CUD): until 95%.



**TWO NOZZLES**



**ONE NOZZLE AND PLUG**



## AGROS-140 13/64" +3/32" (5,2+2,4 mm)

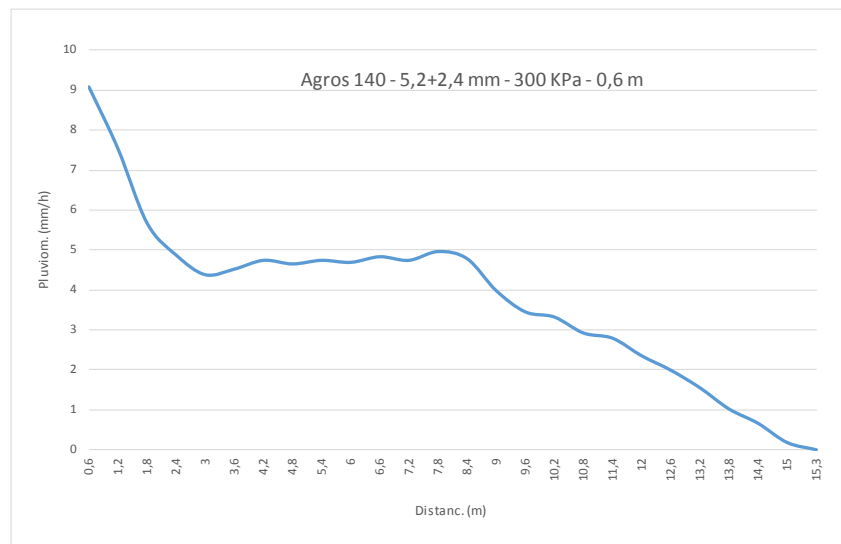
\* For other combinations, consult with Technical Department

Pressure (1bar = 100 kPa)		Flow rate		Revolutions	Irrigated diameter		Irrigation frame		CUD*
kPa	psi	l/h	gpm	rpm	m	feet	m x m	feet x feet	%
400	58.00	2510	11,04	2,40	30,6	100,37	12 x 12	39,37 X 39,37	92,4
							12 x 15	39,37 X 49,21	89,6
							12 x 18	39,37 X 59,05	92,4
							15 x 15	49,21 X 49,21	88,9
							15 x 18	49,21 X 59,05	90,3
							18 x 18	59,05 X 59,05	88,8
							18 x 15T	59,05 X 49,21T	86,6
300	43.50	2149	9,46	2,43	30,4	99,71	12 x 12	39,37 X 39,37	91,2
							12 x 15	39,37 X 49,21	86,0
							12 x 18	39,37 X 59,05	88,3
							15 x 15	49,21 X 49,21	83,2
							15 x 18	49,21 X 59,05	85,4
							18 x 18	59,05 X 59,05	84,7
							18 x 15T	59,05 X 49,21T	79,6
250	36.20	1763	7,76	2,11	27,2	89,22	12 x 12	39,37 X 39,37	86,7
							12 x 15	39,37 X 49,21	83,2
							12 x 18	39,37 X 59,05	86,3
							15 x 15	49,21 X 49,21	82,2
							15 x 18	49,21 X 59,05	83,5
							18 x 18	59,05 X 59,05	79,0
							18 x 15T	59,05 X 49,21T	74,2

\*Distribution uniformity coefficient CUD. It is used the one defined by J.E. Christiansen.

### RADIAL CURVE

Trademark	Cometal
Sprinkler model	Agros 140
Nozzle(s)	5,2 mm + 2,4 mm
Working Pressure(kPa)	300
High (m)	1,0
Pluviometers numbers	25
Distance between Pluviometers (m)	0,6
First Pluviometer (m)	0,6
Air Temperature (°C)	11,6
Relative Humidity (%)	87,0
Discharge Unloaded (l/h)	2149
Test duration (min)	60
Rotation Speed (min)	2,43
Reach Radio (m)	30,40



Distance	(m)	0,60	1,20	1,80	2,40	3,00	3,60	4,20	4,80	5,40	6,00	6,60	7,20	7,80
Pluviom.	(mm/h)	9,08	7,53	5,67	4,87	4,38	4,52	4,74	4,65	4,74	4,69	4,83	4,74	4,96
Distance	(m)	8,40	9,00	9,60	10,20	10,80	11,40	12,00	12,60	13,20	13,80	14,40	15,00	15,30
Pluviom.	(mm/h)	4,78	3,98	3,45	3,32	2,92	2,79	2,35	1,99	1,55	1,02	0,66	0,18	0,00