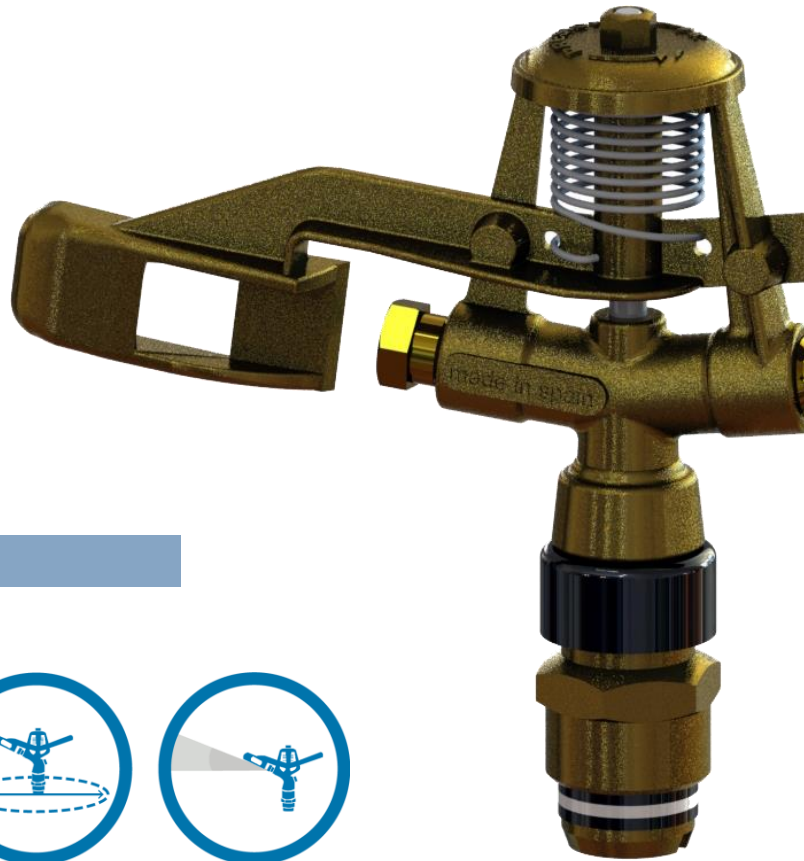


# AG-35 7°

- ✓ **UTILITY MODEL:** Thanks to the special design of the crown, we can change the tooth pressure only screwing and unscrewing the upper nut. The sprinkler is served with the adequate regulation.
- ✓ **FULL CIRCLE** sprinkler
- ✓ **NOZZLES:** One or two brass nozzles.



## CHARACTERISTICS



Conexión/Connection

3/4" BSP or NPT.  
Male or female



Material/Material

Brass



Giro/Rotation

Full circle 360°



Diámetro/Diameter

30 m. aprox



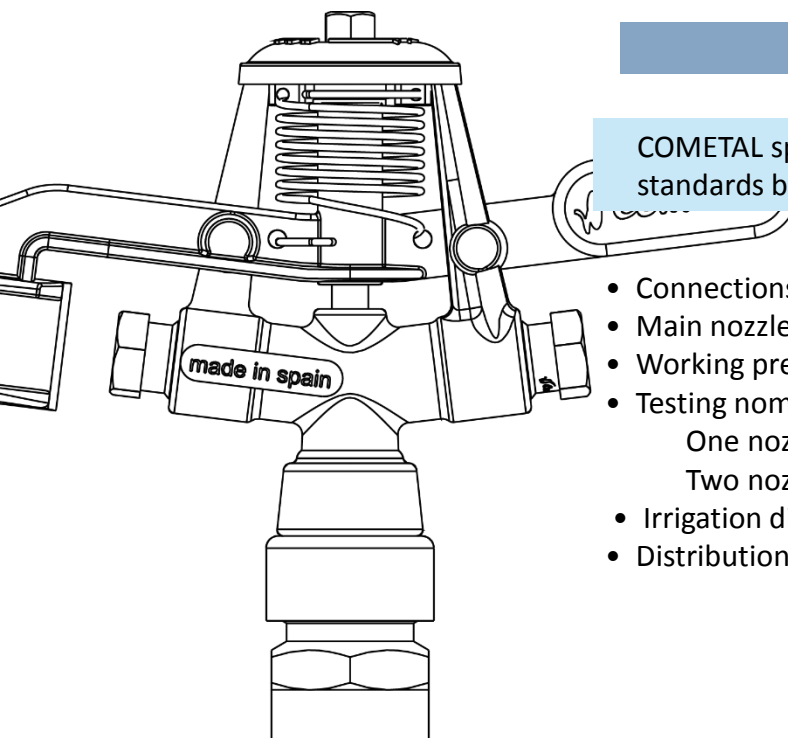
Ángulo/Angle

7°

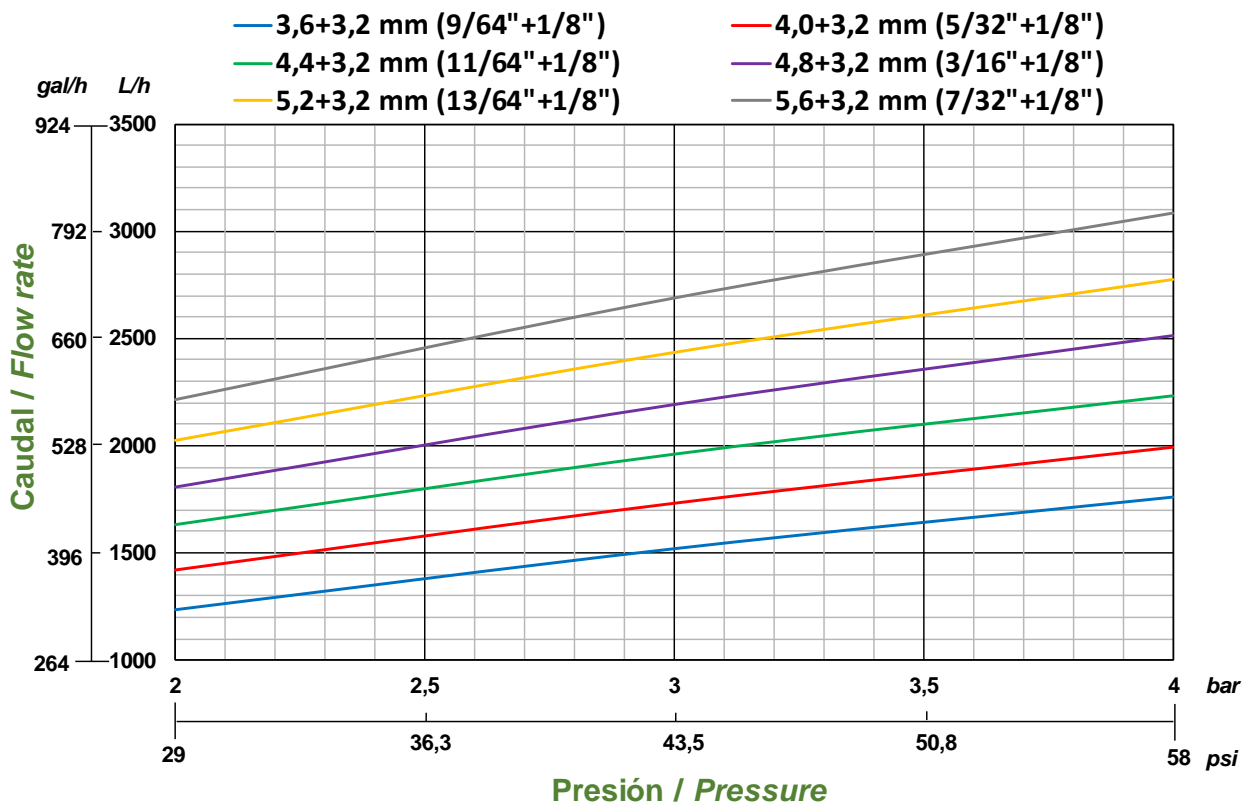
## SPECIFICATIONS

COMETAL sprinklers comply with **UNE 68072**, **15886 ISO** and **ISO 7749** standards based on general requirements and test methods.

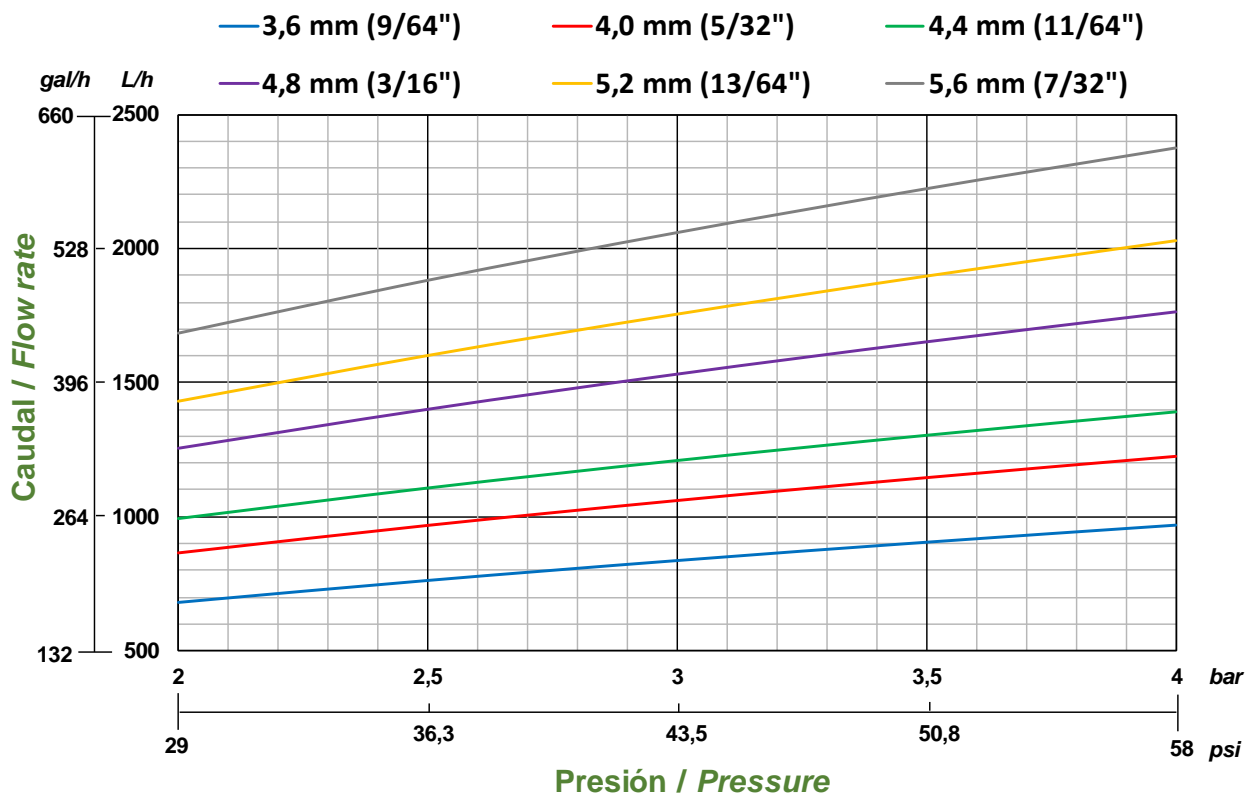
- Connections: 3/4" BSP, NPT, male or female thread.
- Main nozzle angle: 7°.
- Working pressures range: from 200 to 400 KPa (from 29.00 to 58.00 psi).
- Testing nominal flow range:
  - One nozzle and plug: 680-2.375 L/h (180-627 gph).
  - Two nozzles: 1.230-3.075 L/h (325-812 gph).
- Irrigation diameter: from 18,20 to 23,20 (from 59.70 to 76.10 feet).
- Distribution uniformity coefficient (CUD): until 99%.



**TWO NOZZLES**



**ONE NOZZLE AND PLUG**



## AGROS-35 7° 5/32" +1/8" (4,0+3,2 mm)

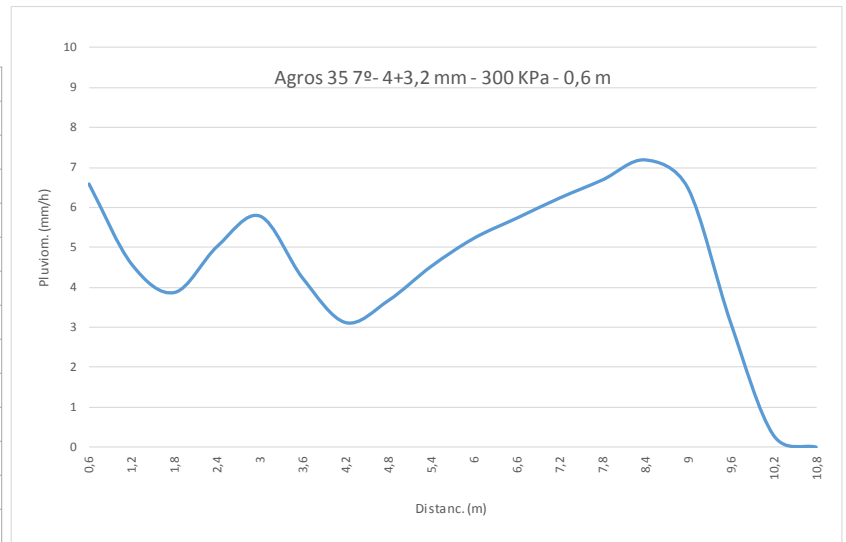
\* For other combinations, consult with Technical Department

Pressure (1bar = 100 kPa)		Flow rate		Revolutions	Irrigated diameter		Irrigation frame		CUD*
kPa	psi	l/h	gpm		m	feet	m x m	feet x feet	
400	58.00	1992	8.76	1,22	21,00	68.88	5 x 5	16.40 x 16.40	96,0
							6 x 6	19.69 x 19.69	95,6
							8 x 6	26.25 x 19.69	88,8
							8 x 8	26.25 x 26.25	82,4
							10 x 8	32.81 x 26.25	85,9
							10 x 10	32.81 x 32.81	77,2
							8 x 8 T	26.25 x 26.25T	83,3
300	43.50	1732	7.62	1,05	20,60	67.57	5 x 5	16.40 x 16.40	92,5
							6 x 6	19.69 x 19.69	95,2
							8 x 6	26.25 x 19.69	87,5
							8 x 8	26.25 x 26.25	81,3
							10 x 8	32.81 x 26.25	82,9
							10 x 10	32.81 x 32.81	73,2
							8 x 8 T	26.25 x 26.25T	80,3
200	29.00	1420	6.25	0,93	18,20	60.00	5 x 5	16.40 x 16.40	88,0
							6 x 6	19.69 x 19.69	86,5
							8 x 6	26.25 x 19.69	81,7
							8 x 8	26.25 x 26.25	84,5
							10 x 8	32.81 x 26.25	68,4
							10 x 10	32.81 x 32.81	61,8
							8 x 8 T	26.25 x 26.25T	73,6

\*Distribution uniformity coefficient CUD. It is used the one defined by J.E. Christiansen.

## RADIAL CURVE

Trademark	Cometal
Sprinkler model	Agros 35 7°
Nozzle(s)	4,0 mm + 3,2 mm
Working Pressure(kPa)	300
High (m)	1,0
Pluviometers numbers	17
Distance between Pluviometers (m)	0,6
First Pluviometer (m)	0,6
Air Temperature (°C)	14,1
Relative Humidity (%)	86,0
Discharge Unloaded (l/h)	1732
Test duration (min)	60
Rotation Speed (min)	1,06
Reach Radio (m)	10,30



Distance	(m)	0,60	1,20	1,80	2,40	3,00	3,60	4,20	4,80	5,40	6,00	6,60	7,20	7,80
Pluviom.	(mm/h)	6,59	4,57	3,87	5,03	5,78	4,22	3,12	3,67	4,52	5,23	5,73	6,23	6,69
Distance	(m)	8,40	9,00	9,60	10,20	10,80								
Pluviom.	(mm/h)	7,19	6,48	3,12	0,30	0,00								