

AG-35

- ✓ **UTILITY MODEL:** Thanks to the special design of the crown, we can change the tooth pressure only screwing and unscrewing the upper nut. The sprinkler is served with the adequate regulation.
- ✓ **FULL CIRCLE** sprinkler
- ✓ **NOZZLES:** One or two brass nozzles.



CHARACTERISTICS



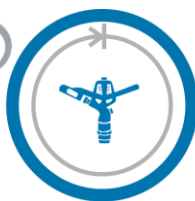
Conexión/Connection

3/4" BSP or NPT.
Male or female



Material/Material

Brass



Giro/Rotation

Full circle 360°



Diámetro/Diameter

30 m. aprox



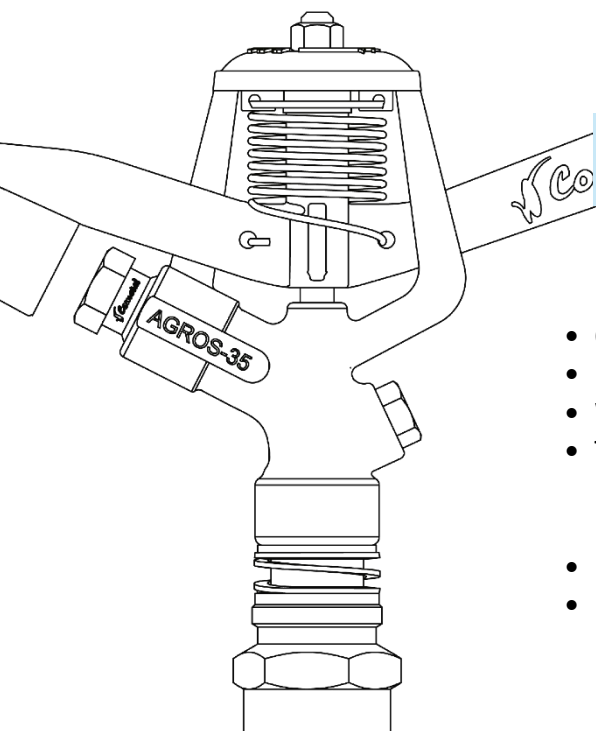
Ángulo/Angle

27°

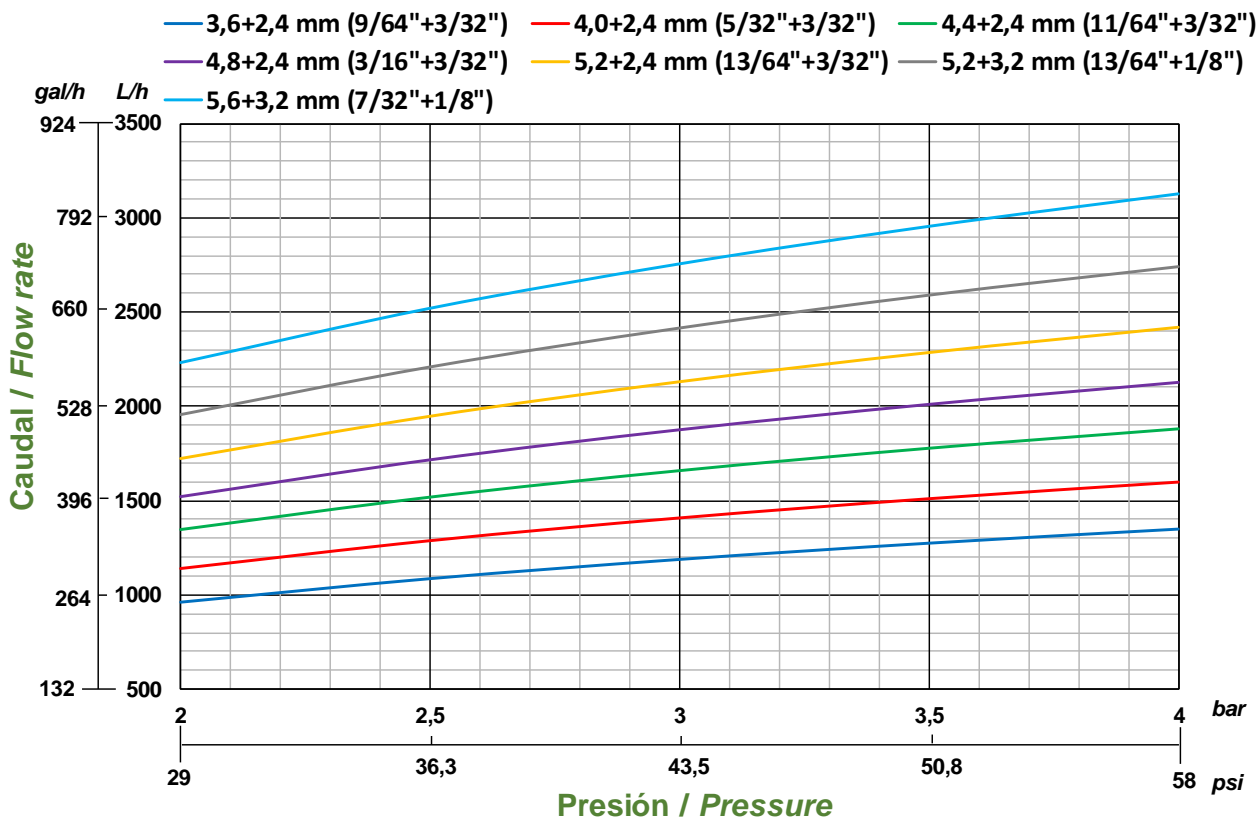
SPECIFICATIONS

COMETAL sprinklers comply with **UNE 68072**, **15886 ISO** and **ISO 7749** standards based on general requirements and test methods.

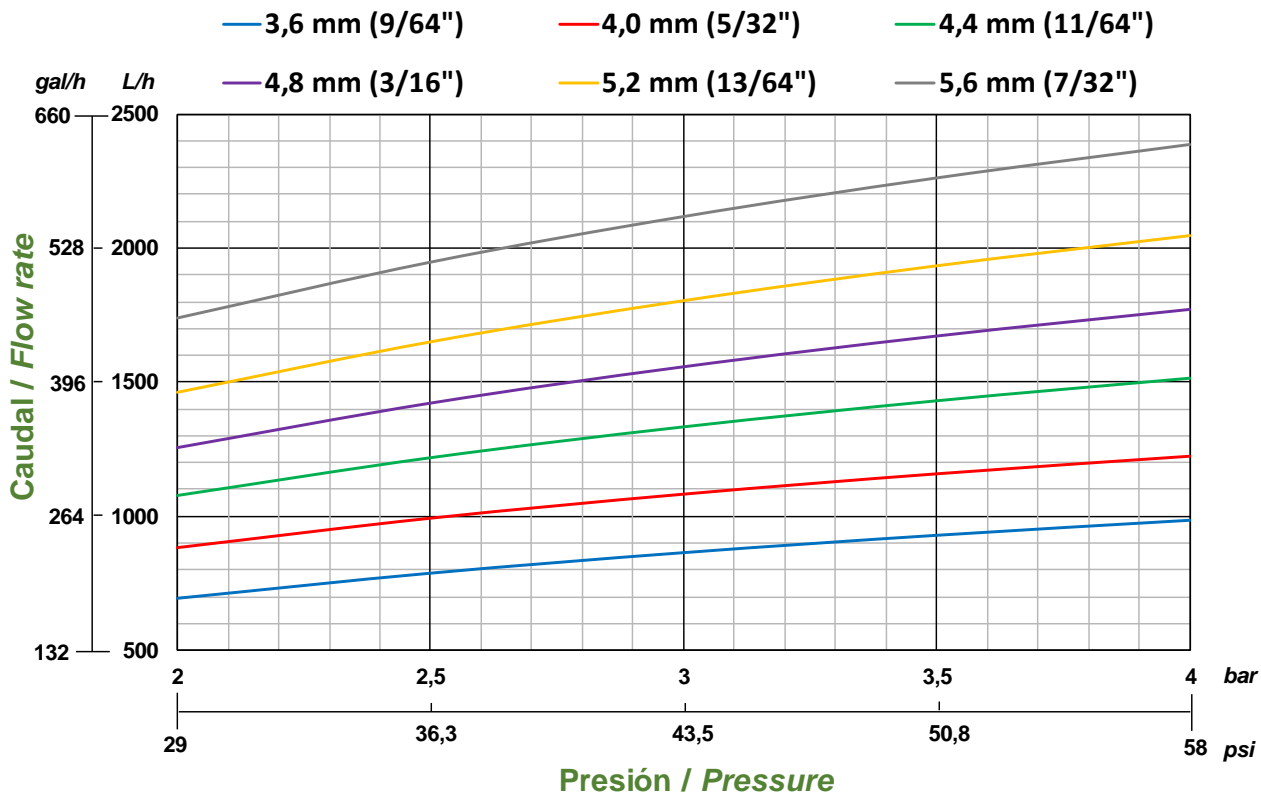
- Connections: 3/4" BSP, NPT, male or female thread.
- Main nozzle angle: 27°.
- Working pressures range: from 200 to 400 KPa (from 29.00 to 58.00 psi).
- Testing nominal flow range:
 - One nozzle and plug: from 700 to 2.410 l/h (185 - 636 gph).
 - Two nozzles: from 970 to 3.130 l/h (256 - 827 gph).
- Irrigation diameter: from 26,60 to 34,00 (from 87.25 to 111.52 feet).
- Distribution uniformity coefficient (CUD): until 95%.



TWO NOZZLES



ONE NOZZLE AND PLUG



AGROS-35 11/64" +3/32" (4,4+2,4 mm)

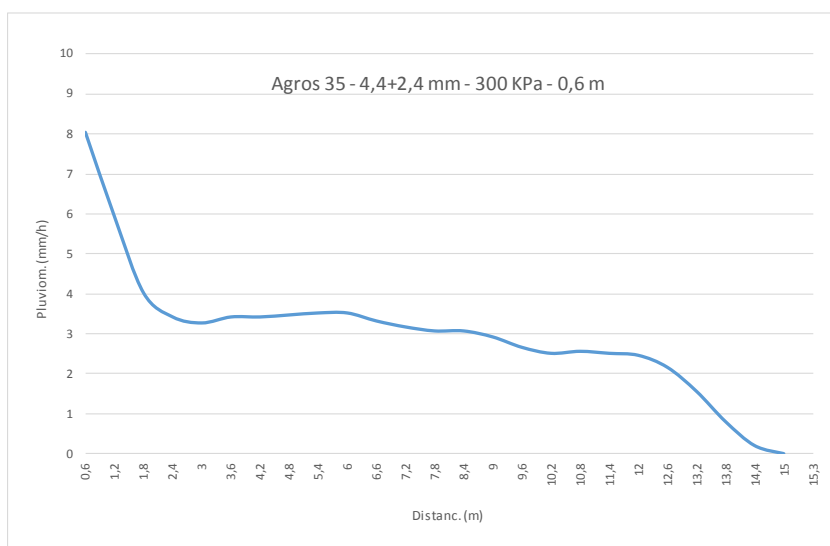
* For other combinations, consult with Technical Department

Pressure (1bar = 100 kPa)		Flow rate		Revolutions	Irrigated diameter		Irrigation frame		CUD*
kPa	psi	l/h	gpm	rpm	m	feet	m x m	feet x feet	%
400	58.00	1885	8.30	1,39	30,20	99.06	12 x 12	39,37 X 39.37	94,3
							12 x 15	39.37 X 49.21	87,8
							12 x 18	39.37 X 59.05	88,7
							15 x 15	49.21 X 49.21	85,6
							15 x 18	49.21 X 59.05	88,1
							18 x 18	59.05 X 59.05	86,6
300	43.50	1646	7.25	1,49	29,20	95.78	12 x 12	39,37 X 39.37	94,2
							12 x 15	39.37 X 49.21	86,0
							12 x 18	39.37 X 59.05	85,3
							15 x 15	49.21 X 49.21	83,8
							15 x 18	49.21 X 59.05	87,2
							18 x 18	59.05 X 59.05	85,3
200	29.00	1356	5.97	1,37	26,80	87.90	12 x 12	39,37 X 39.37	88,7
							12 x 15	39.37 X 49.21	80,7
							12 x 18	39.37 X 59.05	79,8
							15 x 15	49.21 X 49.21	78,4
							15 x 18	49.21 X 59.05	83,3
							18 x 18	59.05 X 59.05	79,2
							18 x 15T	59.05 X 49.21T	75,6

*Distribution uniformity coefficient CUD. It is used the one defined by J.E. Christiansen.

RADIAL CURVE

Trademark	Cometal
Sprinkler model	Agros 35
Nozzle(s)	4,4 mm + 2,4 mm
Working Pressure(kPa)	300
High (m)	0,6
Pluviometers numbers	24
Distance between Pluviometers (m)	0,6
First Pluviometer (m)	0,6
Air Temperature (°C)	11,3
Relative Humidity (%)	80,7
Discharge Unloaded (l/h)	1646
Test duration (min)	60
Rotation Speed (min)	1,49
Reach Radio (m)	14,60



Distance	(m)	0,60	1,20	1,80	2,40	3,00	3,60	4,20	4,80	5,40	6,00	6,60	7,20	7,80
Pluviom.	(mm/h)	8,04	5,93	4,02	3,42	3,27	3,42	3,42	3,47	3,52	3,52	3,32	3,17	3,07
Distance	(m)	8,40	9,00	9,60	10,20	10,80	11,40	12,00	12,60	13,20	13,80	14,40	14,60	
Pluviom.	(mm/h)	3,07	2,92	2,66	2,51	2,56	2,51	2,46	2,16	1,56	0,80	0,20	0,00	