

# AG-40

- ✓ **UTILITY MODEL:** Thanks to the special design of the crown, we can change the tooth pressure only screwing and unscrewing the upper nut. The sprinkler is served with the adequate regulation.
- ✓ **FULL CIRCLE** sprinkler
- ✓ **NOZZLES:** One or two brass nozzles.



## CHARACTERISTICS



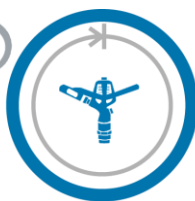
Conexión/Connection

3/4" BSP or NPT.  
Male or female



Material/Material

Brass



Giro/Rotation

Full circle 360°



Diámetro/Diameter

34 m. aprox



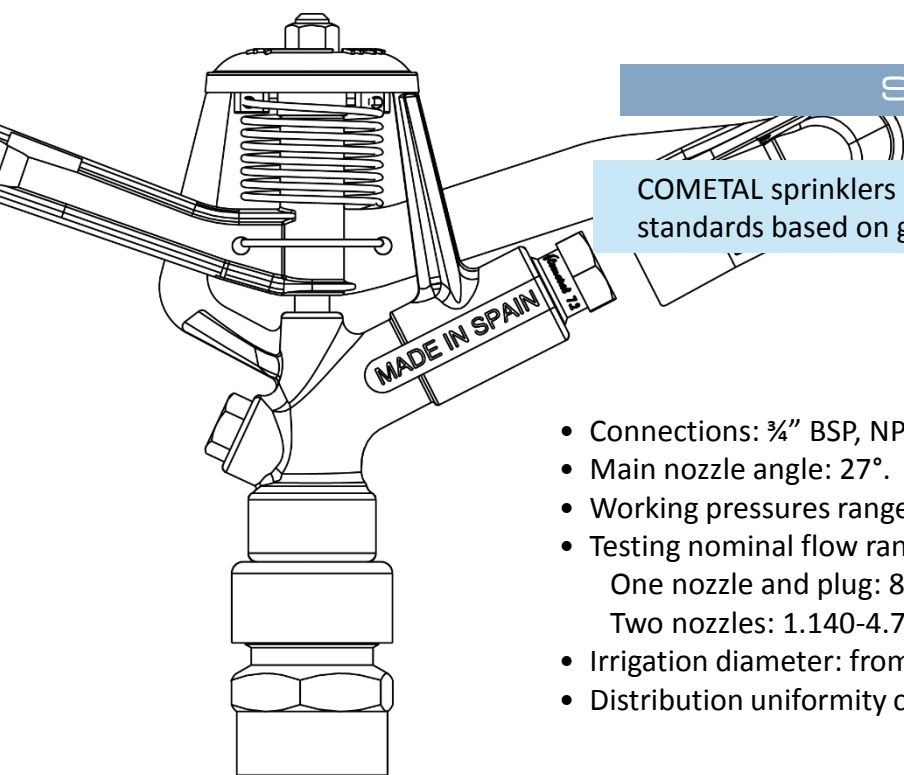
Ángulo/Angle

27°

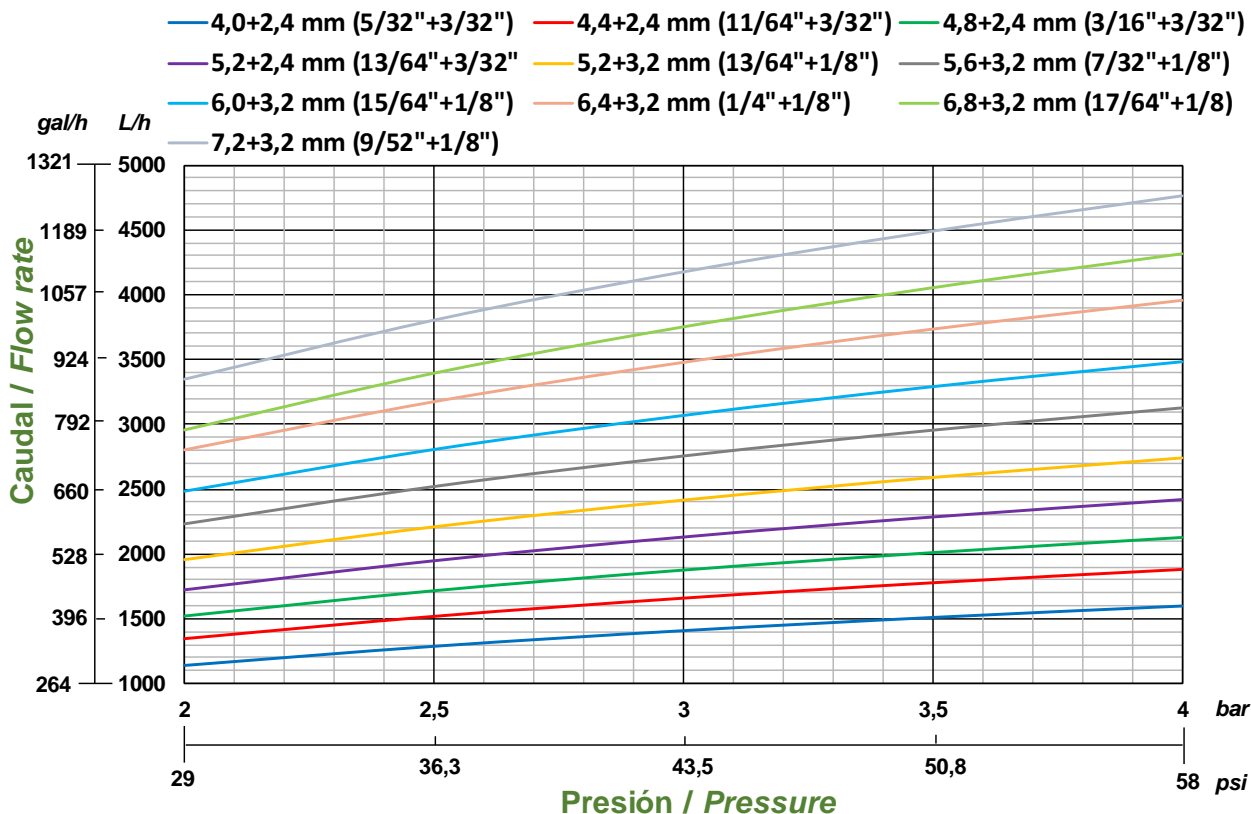
## SPECIFICATIONS

COMETAL sprinklers comply with **UNE 68072**, **15886 ISO** and **ISO 7749** standards based on general requirements and test methods.

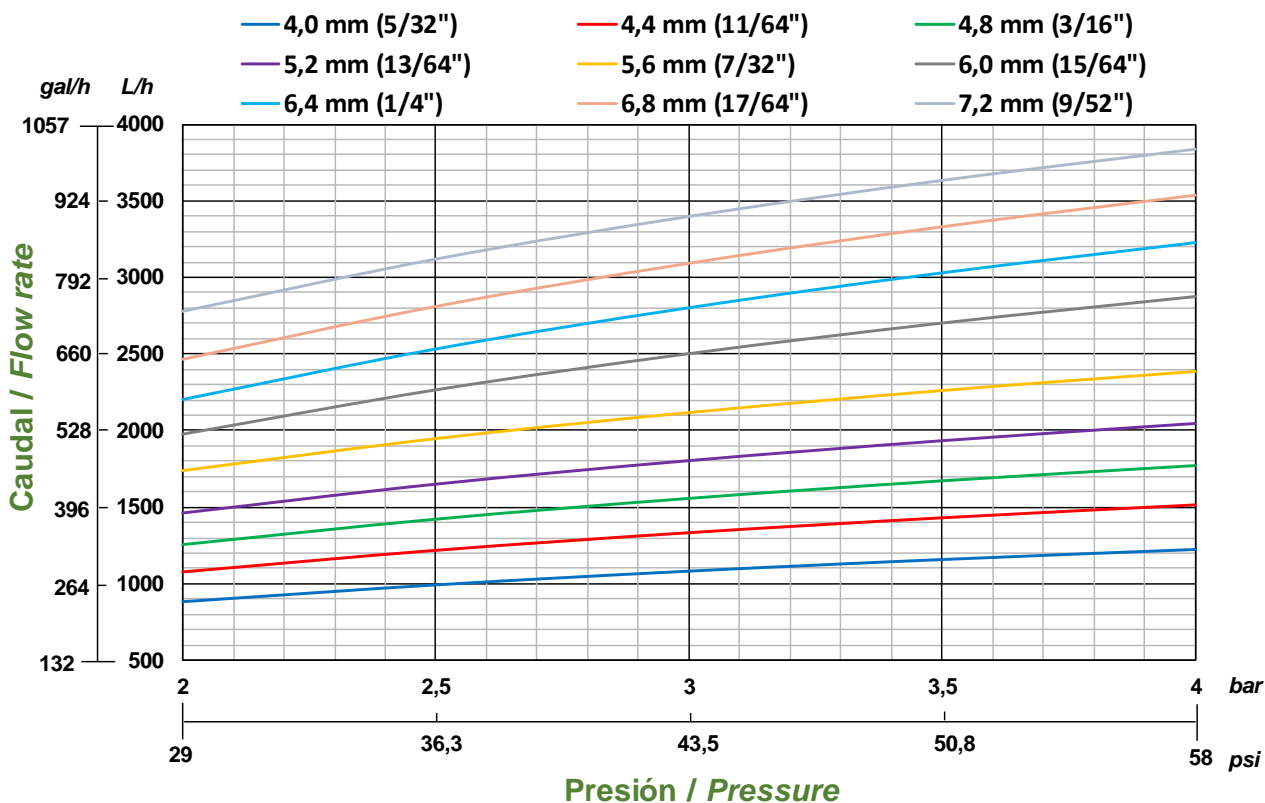
- Connections: 3/4" BSP, NPT, male or female thread.
- Main nozzle angle: 27°.
- Working pressures range: from 200 to 400 KPa (from 29.00 to 58.00 psi).
- Testing nominal flow range:
  - One nozzle and plug: 890-3.840 L/h (235-1.014 gph).
  - Two nozzles: 1.140-4.770 L/h (301-1.260 gph).
- Irrigation diameter: from 26,80 to 34,40 (from 87.90 to 112.83 feet).
- Distribution uniformity coefficient (CUD): until 95%.



**TWO NOZZLES**



**ONE NOZZLE AND PLUG**



## AGROS-40 11/64" +3/32" (4,4+2,4 mm)

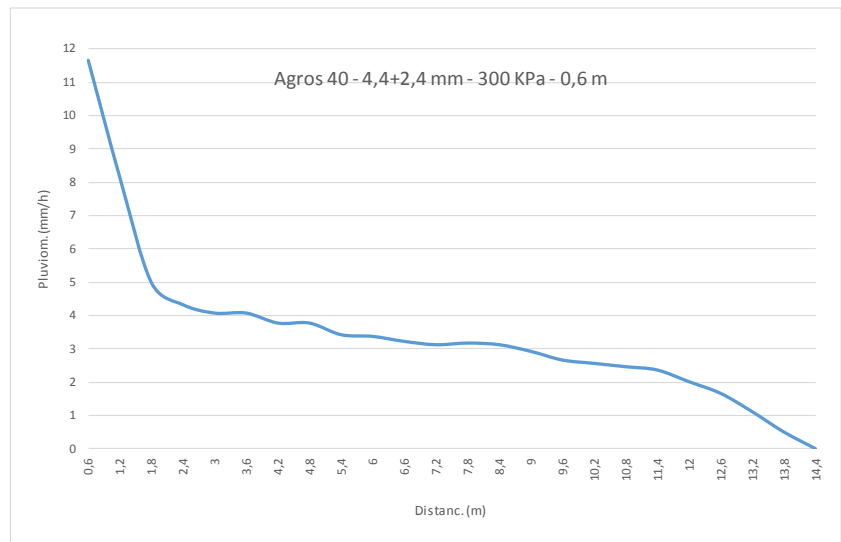
\* For other combinations, consult with Technical Department

Pressure (1bar = 100 kPa)		Flow rate		Revolutions	Irrigated diameter		Irrigation frame		CUD*
kPa	psi	l/h	gpm	rpm	m	feet	m x m	feet x feet	%
400	58.00	1887	8.30	1,64	29,20	95,77	12 x 12	39,37 X 39.37	92,0
							12 x 15	39.37 X 49.21	88,2
							12 x 18	39.37 X 59.05	90,6
							15 x 15	49.21 X 49.21	88,9
							15 x 18	49.21 X 59.05	90,1
							18 x 18	59.05 X 59.05	88,3
300	43.50	1650	7.26	1,73	28,60	93.81	12 x 12	39,37 X 39.37	92,4
							12 x 15	39.37 X 49.21	86,5
							12 x 18	39.37 X 59.05	87,3
							15 x 15	49.21 X 49.21	86,2
							15 x 18	49.21 X 59.05	89,1
							18 x 18	59.05 X 59.05	87,7
250	36.20	1506	6.63	1,73	27,80	91.18	12 x 12	39,37 X 39.37	91,8
							12 x 15	39.37 X 49.21	84,5
							12 x 18	39.37 X 59.05	84,8
							15 x 15	49.21 X 49.21	84,5
							15 x 18	49.21 X 59.05	87,9
							18 x 18	59.05 X 59.05	85,0
							18 x 15T	59.05 X 49.21T	81,1

\*Distribution uniformity coefficient CUD. It is used the one defined by J.E. Christiansen.

## RADIAL CURVE

Trademark	Cometal
Sprinkler model	Agros 40
Nozzle(s)	4,4 mm + 2,4 mm
Working Pressure(kPa)	300
High (m)	0,6
Pluviometers numbers	23
Distance between Pluviometers (m)	0,6
First Pluviometer (m)	0,6
Air Temperature (°C)	23,7
Relative Humidity (%)	50,7
Discharge Unloaded (l/h)	1650
Test duration (min)	60
Rotation Speed (min)	1,73
Reach Radio (m)	14,30



Distance	(m)	0,60	1,20	1,80	2,40	3,00	3,60	4,20	4,80	5,40	6,00	6,60	7,20	7,80
Pluviom.	(mm/h)	11,66	8,14	4,98	4,32	4,07	4,07	3,77	3,77	3,42	3,37	3,22	3,12	3,17
Distance	(m)	8,40	9,00	9,60	10,20	10,80	11,40	12,00	12,60	13,20	13,80	14,30		
Pluviom.	(mm/h)	3,12	2,92	2,66	2,56	2,46	2,36	2,01	1,66	1,11	0,50	0,00		