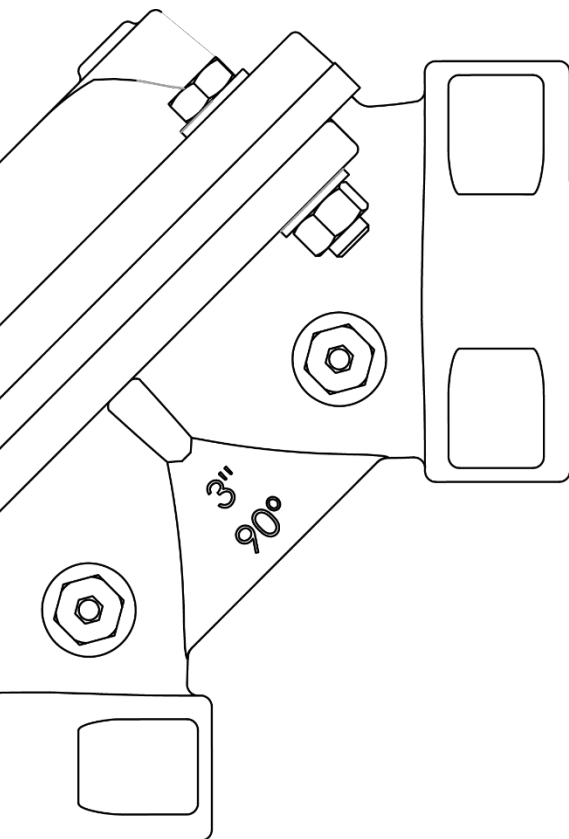


# ANGLE HYDRAULIC VALVES

- ✓ **PATENT MODEL:** Perimeter ring in the platform of the valve body which avoid the diaphragm displacement.
- ✓ **ACCESS AND MAINTENANCE:** It allows an easy access to the inner part of the valve only manipulating the screws between covers and bodies.
- ✓ The angular model, allows you to save items in the installation, such as elbows.



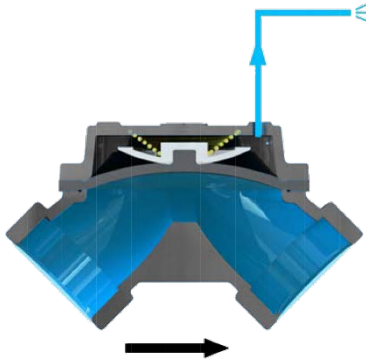
## SPECIFICATIONS

- **CONNECTIONS:** Flanges ISO-7005-2 (ANSI or BS under request)  
Female BSP thread (NPT under request)  
Grooved
- **DESIGN:** Single chamber angle design.
- **SIZES RANGE:**  
Threaded: 2"-2½"-3"  
Flanged: DN80 -DN100  
Grooved: 2"-4"-6"
- **NOMINAL PRESSURE (bar):** PN16.  
(psi): PN232.
- **MINIMUM ACTIVATION PRESSURE:**  
PN16: 1,5 bar

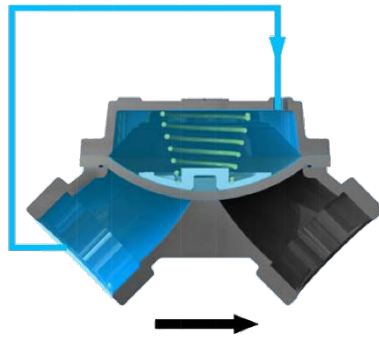
## MATERIALS

- **BODY AND COVER:** GG Cast Iron.
- **DIAPHRAGM:** Natural rubber reinforced with nylon.
- **SPRING:** Stainless steel.
- **COVERING:** Epoxy-polyester double covering.

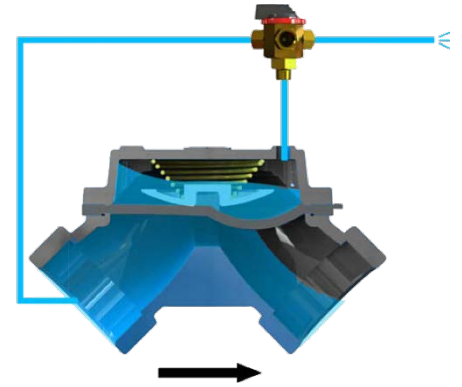
COMETAL hydraulic valves comply with the specifications of the standards **UNE - EN 1074** about valves for the supply of water with reference to **general requirements, mechanical resistance and watertightness.**



When the sum of the Control Chamber powers is less than the upstream pressure, the valve will open.

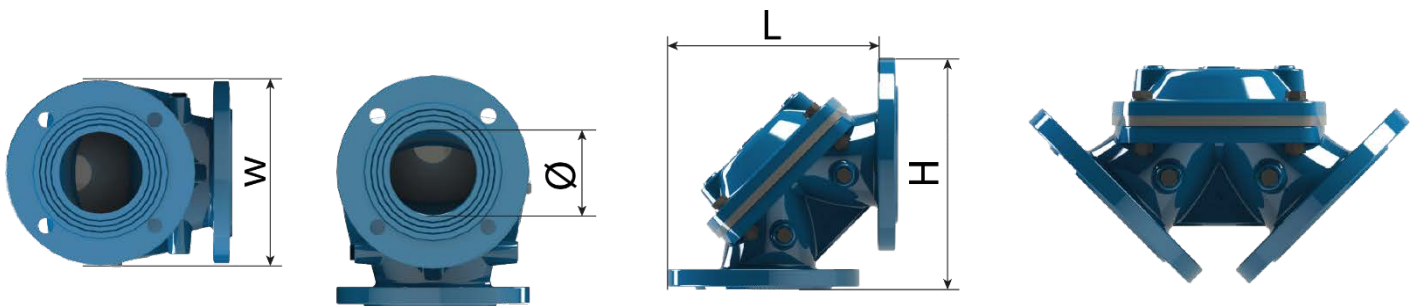


When the sum of the Control Chamber powers is higher or equal than the upstream pressure, the valve will close.



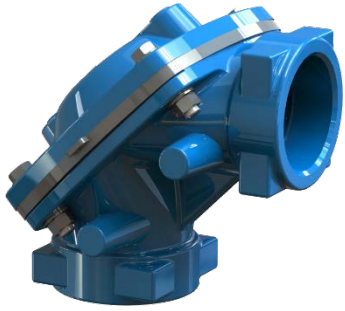
When the Control Chamber is partially full, the valve can be opening, closing or regulating.

DIMENSIONS AND WEIGHTS

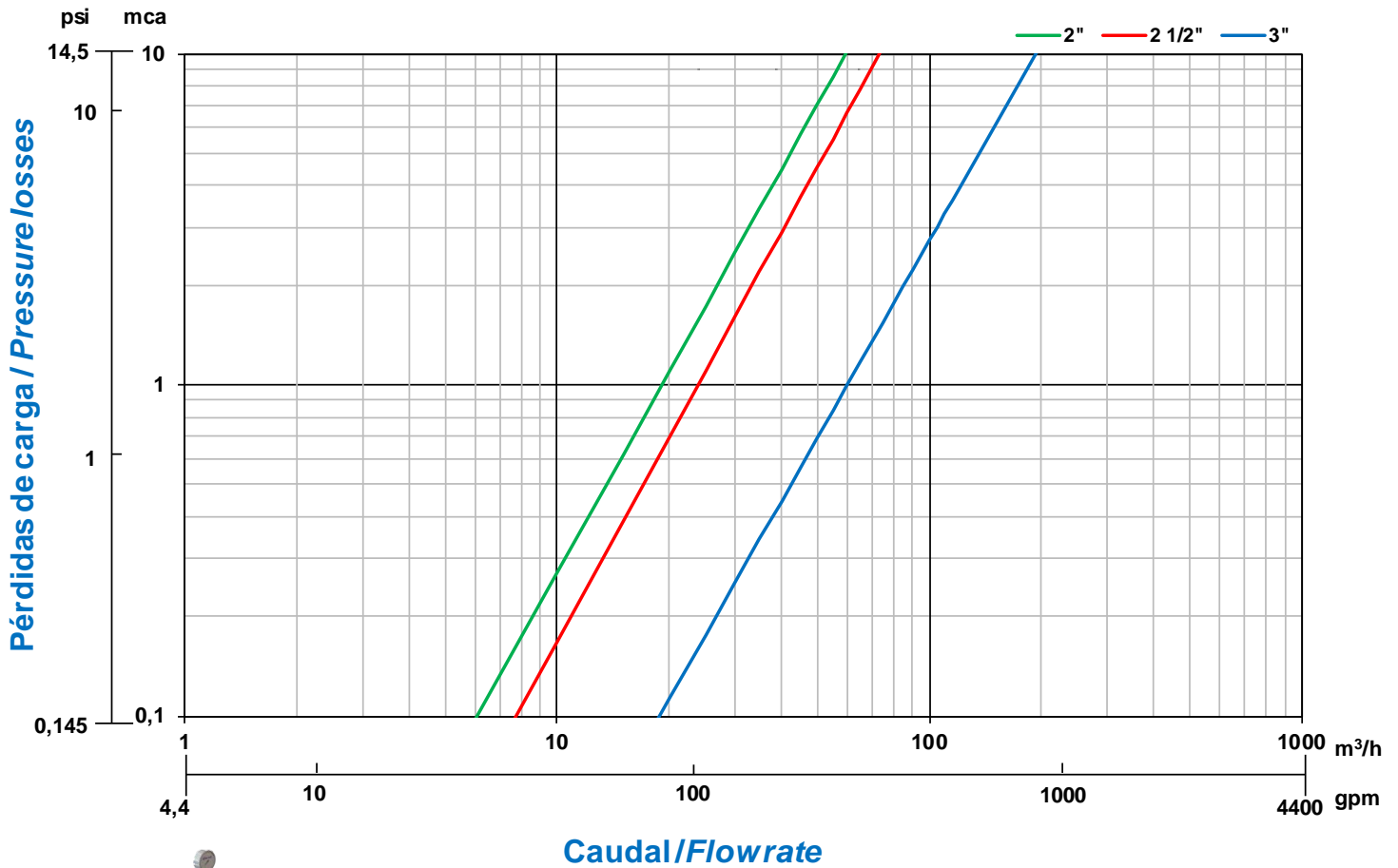


MODEL	CONNECTION	LENGTH (L)		HEIGHT (H)		INSIDE DIAM (Ø)	WIDTH (W)		WEIGHT
		mm	inch	mm	inch		mm	inch	
2"	THREAD	131	5.16	155	6.10	2"	125	4.92	4,2
2 ½"	THREAD	160	6.30	160	6.30	2 ½"	125	4.92	5
3"	THREAD	220	8.66	225	8.86	3"	208	8.19	12,7
DN80	FLANGED	245	9.64	255	10.04	3"	208	8.18	17,3
DN100	FLANGED	263	10.35	270	10.63	4"	220	8.66	19,4
2"	GROOVED	160	6.30	155	6.10	2"	125	4.92	3,5
4"	GROOVED	193	7.60	214	8.43	4"	204	8.03	12,3
6"	GROOVED	277	10.91	306	12.05	6"	300	11.80	33,0

THREAD VALVES



COMETAL valves comply with the following standards for threaded connections:  
BSP. 7.1 ISO - 228.1 ISO - UNE - EN 10226 - BS-EN 10226. ISO standard and European standards.  
NPT. ASME-ANSI B 1.20. American standard.

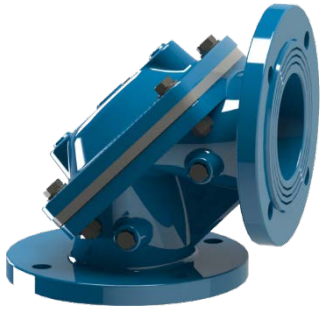


Friction Head Loss is measured from A to B

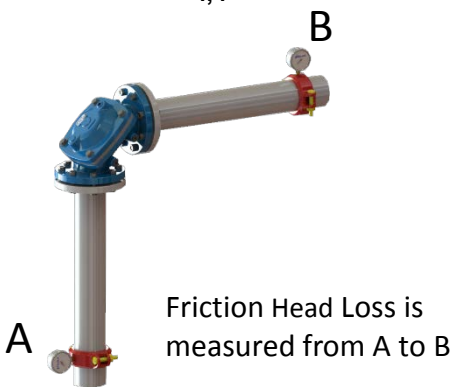
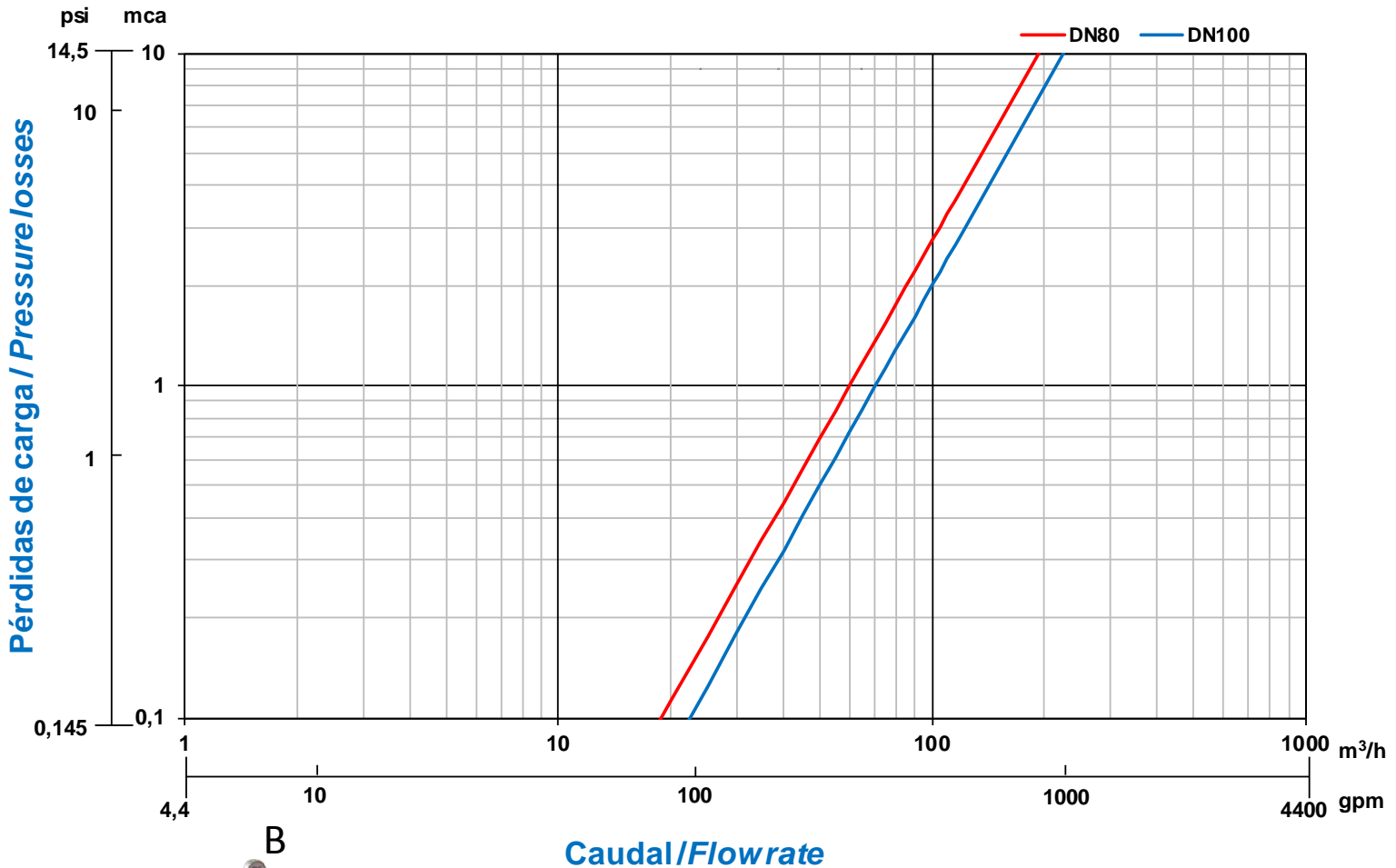
COMETAL hydraulic valves comply with the specifications of the standards UNE-EN 1267 and ISO 9644 in terms of friction head loss tests.

MODEL	CONNECTION	KV		CONTROL CHAMBER VOLUME
		m3/h	gpm	litres
2"	THREAD	60	264.2	0,14
2 1/2"	THREAD	74	325.8	0,15
3"	THREAD	193	849.8	0,15

FLANGED VALVES



COMETAL valves comply with the following standards for flanged:  
**ISO 7005 - DIN - UNE-EN 1092-BS-EN 1092.** ISO standard and European standards.  
**ASME-ANSI B 16.1 - 16.5 B.** American standard.  
**AS 2129.** Australian standard.



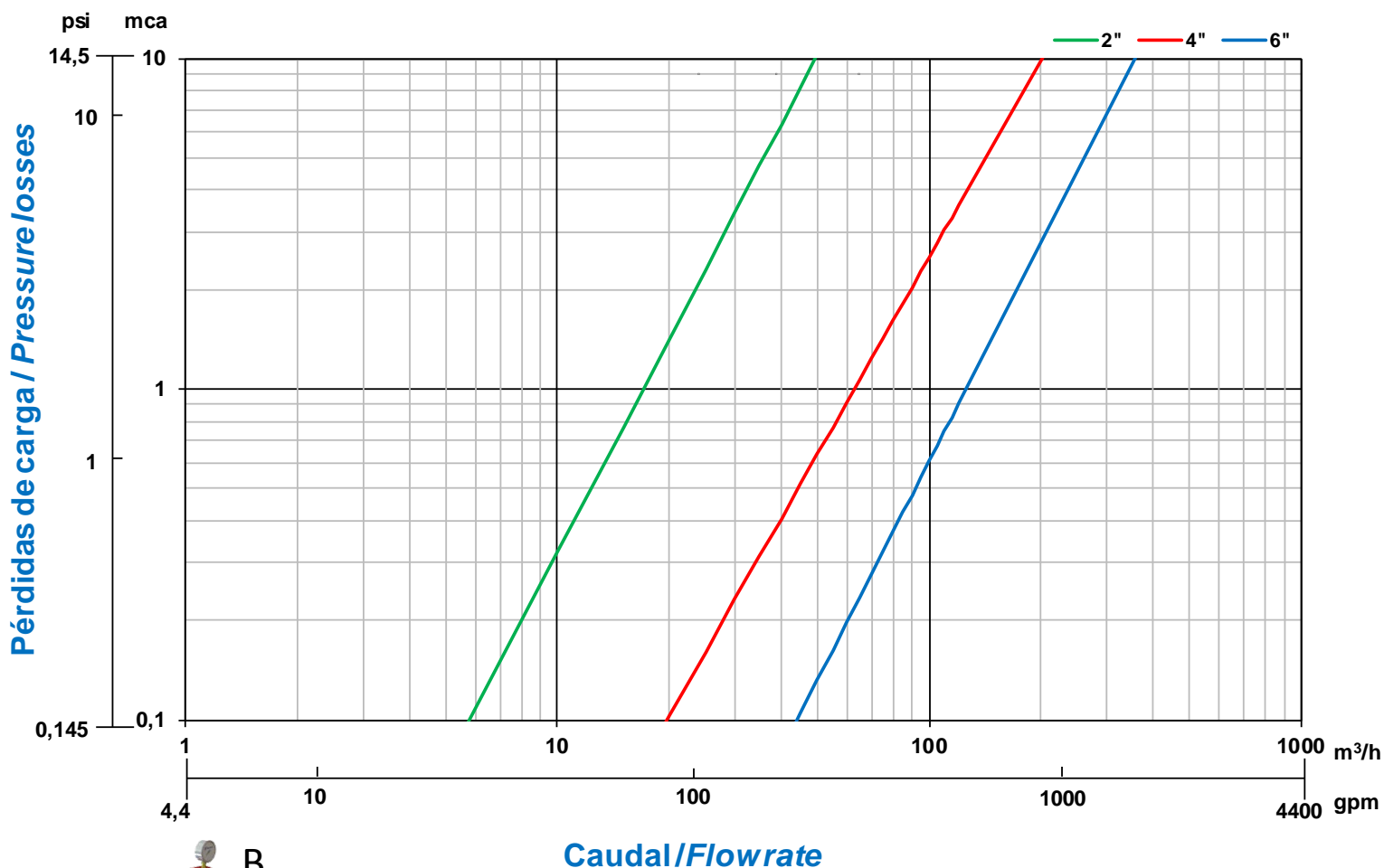
Friction Head Loss is measured from A to B

COMETAL hydraulic valves comply with the specifications of the standards UNE-EN 1267 and ISO 9644 in terms of friction head loss tests.

MODEL	CONNECTION	KV		CONTROL CHAMBER VOLUME
		m3/h	gpm	litres
DN80	FLANGED	193	849.8	0,63
DN100	FLANGED	224	986.2	0,64

GROOVED VALVES

COMETAL valves comply with standard grooved specifications.



Friction Head Loss is measured from A to B

Caudal/Flowrate

MODEL	CONNECTION	KV		CONTROL CHAMBER VOLUME
		m3/h	gpm	litres
2"	GROOVED	50	220.1	0,14
4"	GROOVED	202	889.4	0,65
6"	GROOVED	358	1576.2	1,60

COMETAL hydraulic valves comply with the specifications of the standards UNE-EN 1267 and ISO 9644 in terms of friction head loss tests.