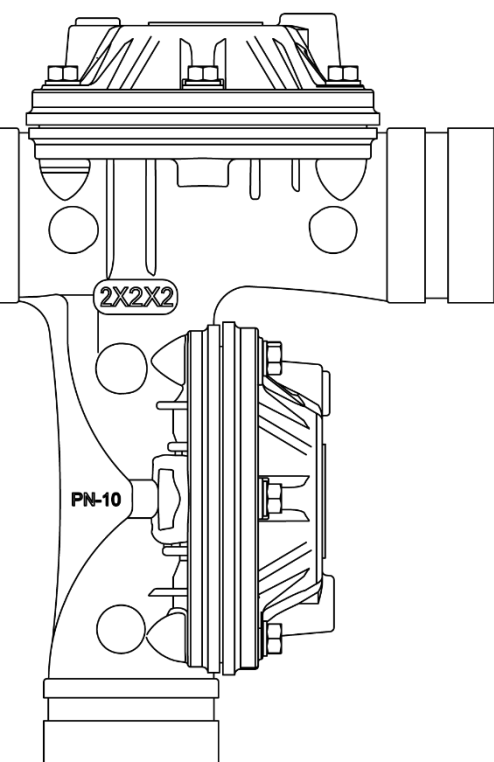


BACKWASH HYDRAULIC VALVES

- ✓ Simple design with few inside elements, allowing to perform filtering in a safe and efficient way with a simple and cheap maintenance.
- ✓ Two models of diaphragms and springs depending on the necessities. PN16 irrigation high pressure and PN06 for low pressure.
- ✓ ACCESS AND MAINTENANCE: It allows an easy access to the inner part of the valve only manipulating the screws between covers and bodies.
- ✓ Adaptability to most common filters on the market, in terms of volumes and dimensions.
- ✓ Its design allows other applications such as bypass T or relief valve.
- ✓ ONLY SUITABLE FOR AGRICULTURAL USE



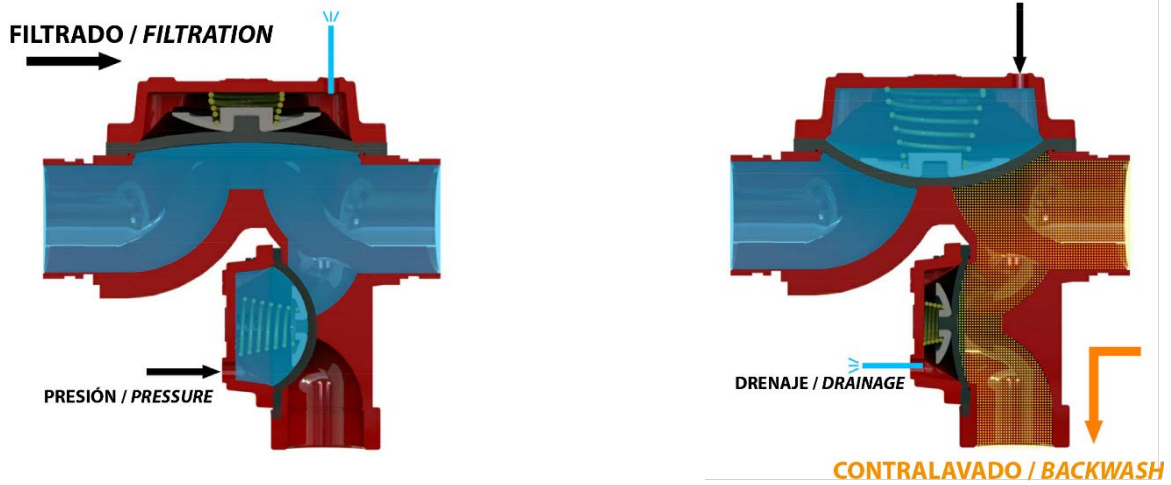
SPECIFICATIONS

- CONNECTIONS: Female BSP thread (NPT under request)
Flanges ISO-7005-2 (ANSI or BS under request)
Grooved
- DESIGN: Double body backwash.
- SIZES RANGE :
Thread: 2"x2"x2"
Flanged: 3"x2"x3"
Grooved: 2"x2"x2" - 3"x2"x3"
- NOMINAL PRESSURE (bar): PN06 o PN16 / PN10 plastic.
(psi): PN87 o PN232 / PN145 plastic.
- MINIMUM ACTIVATION PRESSURE:
PN06: 1,0 bar
PN16: 1,5 bar
PN10: 1,0 bar

MATERIALS

- BODY AND COVER: GG Cast Iron / Polyamide with fibre-glass. High resistance to UV radiation
- DIAPHRAGM: Natural rubber reinforced with nylon.
- SPRING: Stainless steel.
- COVERING: Epoxy-polyester double covering.

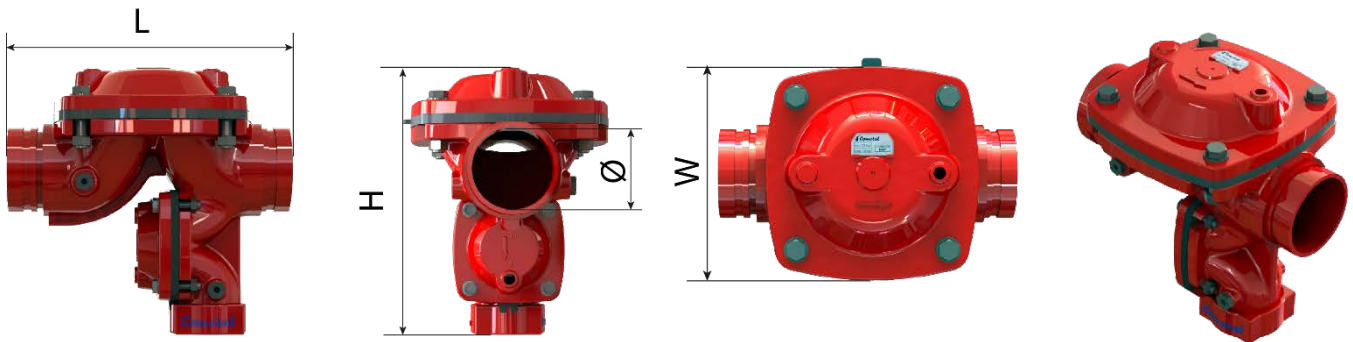
COMETAL hydraulic valves comply with the specifications of the standards **UNE - EN 1074** about valves for the supply of water and **ISO 9635** about irrigation valves with reference to **general requirements, mechanical resistance and watertightness**.



With standard working conditions (supplying to filter), the lower chamber continue closed, crossing the water to the filter with free way of any obstacle (exe or pistons).

During the filter washing, the upper chamber closes and the lower one opens to invert the water flow, evacuating the dirt that the filter has retained.

DIMENSIONS AND WEIGHTS

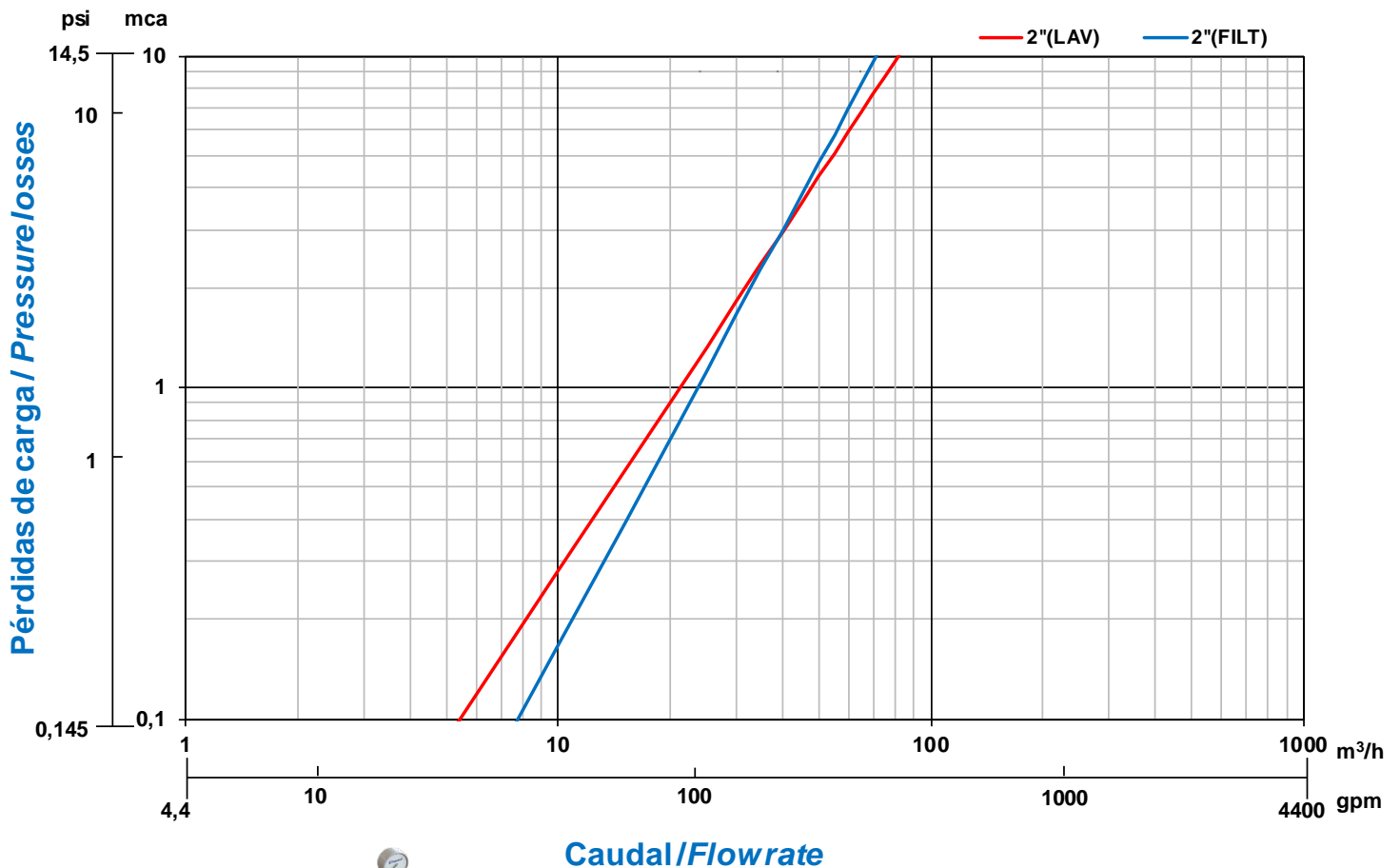


MODEL	MATERIAL	CONNECTION	LENGTH(L)		HEIGHT (H)		INSIDE DIAM (ø)	WIDTH (W)		WEIGHT
			mm	inch	mm	inch	inch	mm	pulg	Kg
2"x2"x2"	CAST IRON	THREAD	187	7.36	265	10.43	2"	120	4.72	7,90
3"x2"x3"	CAST IRON	FLANGED	287	11.30	280	11.02	3"	207	8.15	22,14
2"x2"x2"	CAST IRON	GROOVED	187	7.36	270	10.63	2"	120	4.72	7,30
3"x2"x3"	CAST IRON	GROOVED	287	11.30	280	11.02	3"	207	8.15	15,30
2"x2"x2"	PLASTIC	GROOVED	200	7.87	257	10.11	2"	135	5.31	1,30
3"x2"x3"	PLASTIC	GROOVED	211	8.31	295	11.61	3"	135	5.31	1,60

THREAD VALVES



COMETAL valves comply with the following standards for threaded connections:
 BSP. 7.1 ISO - 228.1 ISO - UNE - EN 10226 - BS-EN 10226. ISO standard and European standards.
 NPT. ASME-ANSI B 1.20. American standard.

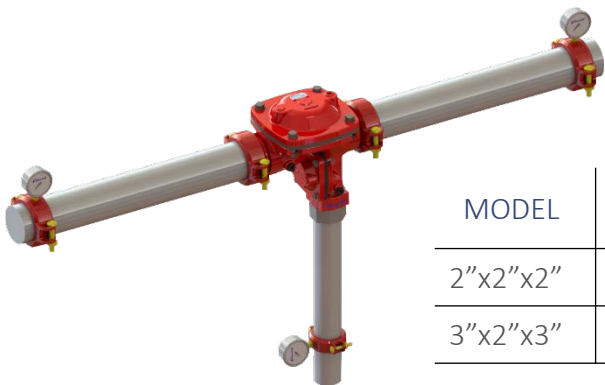
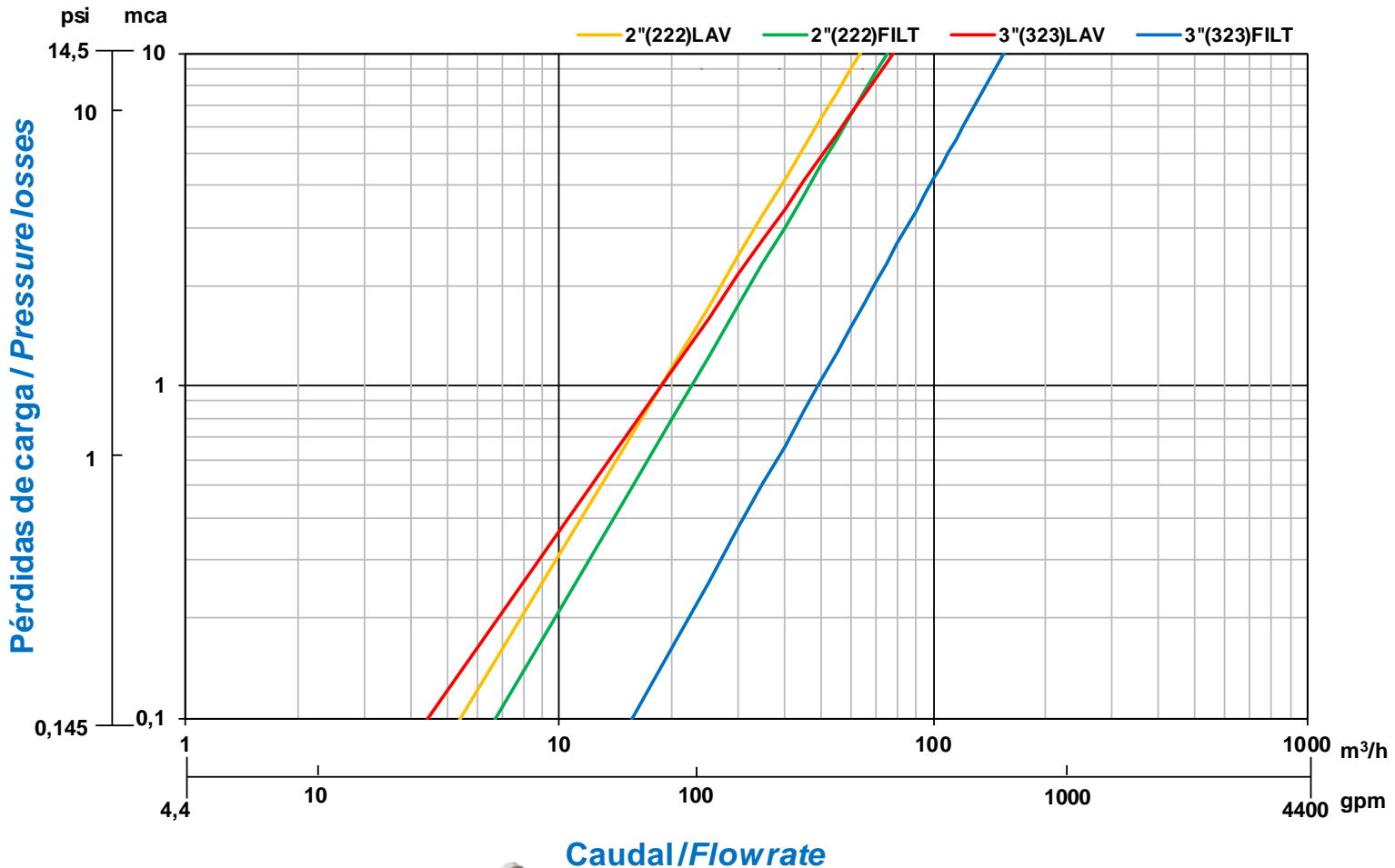


MODEL	CONNECTION	FILTERING KV		WASHING KV	
		m3/h	gpm	m3/h	gpm
2"x2"x2"	THREADxTHREADxTHREAD	72	317	81	356

COMETAL hydraulic valves comply with the specifications of the standards UNE-EN 1267 and ISO 9644 in terms of friction head loss tests.

GROOVED VALVES

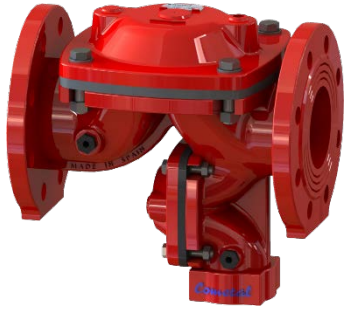
COMETAL valves comply with standard grooved specifications.



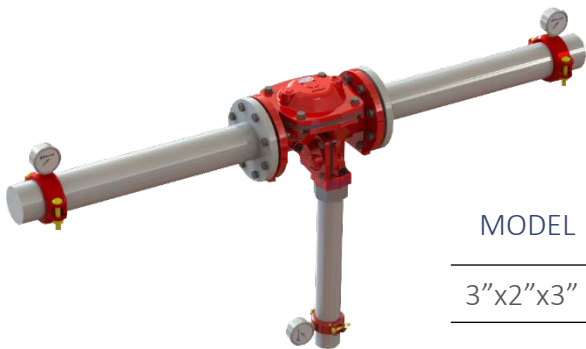
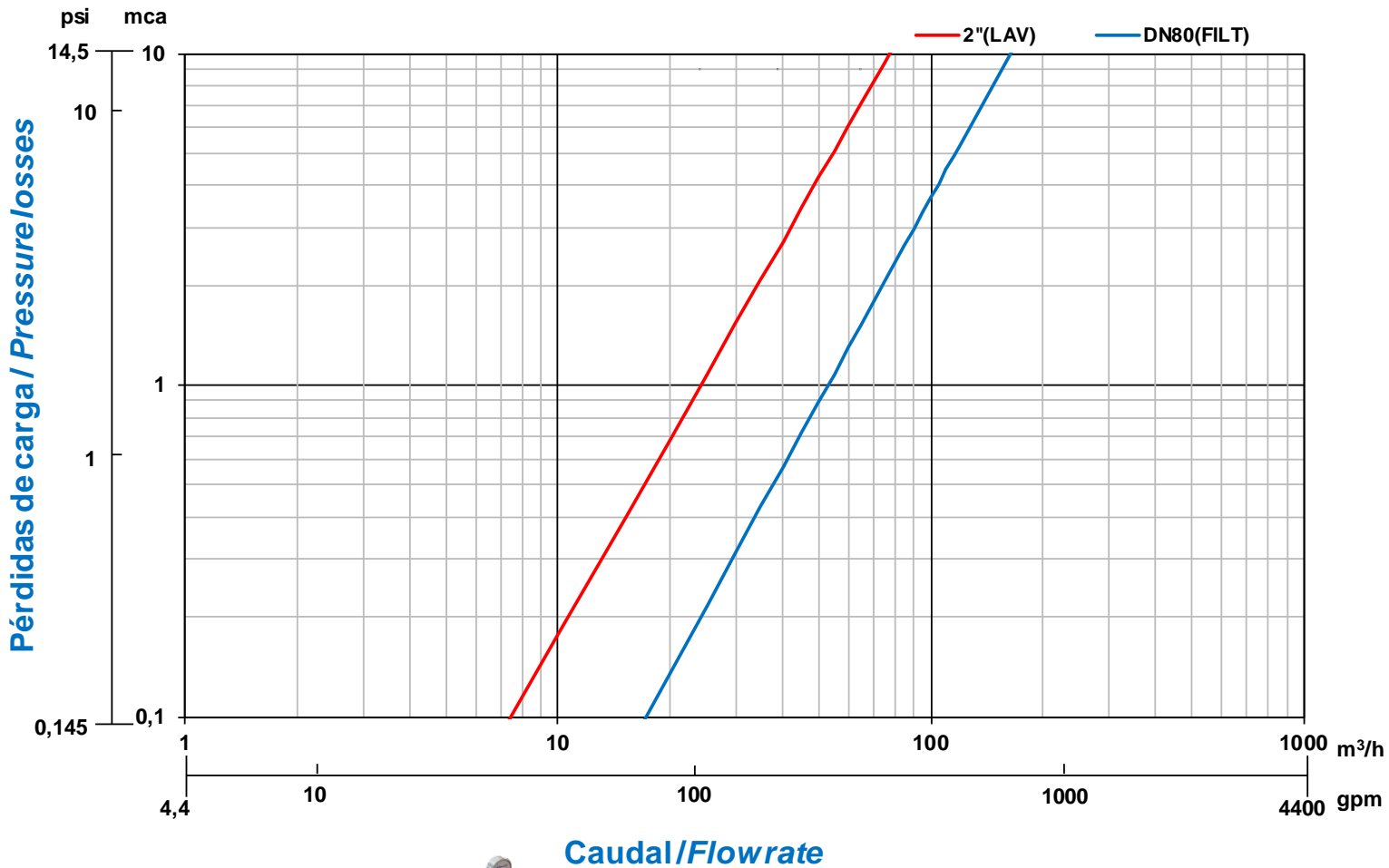
MODEL	CONNECTION	FILTERING KV		WASHING KV	
		m3/h	gpm	m3/h	gpm
2"x2"x2"	GROOVEDxTHREADxGROOVED	64	282	75	330,2
3"x2"x3"	GROOVEDxTHREADxGROOVED	155	382.4	78	343.4

COMETAL hydraulic valves comply with the specifications of the standards UNE-EN 1267 and ISO 9644 in terms of friction head loss tests.

FLANGED VALVES



COMETAL valves comply with the following standards for flanged:
 ISO 7005 - DIN - UNE-EN 1092-BS-EN 1092. ISO standard and European standards.
 ASME-ANSI B 16.1 - 16.5 B. American standard.
 AS 2129. Australian standard.

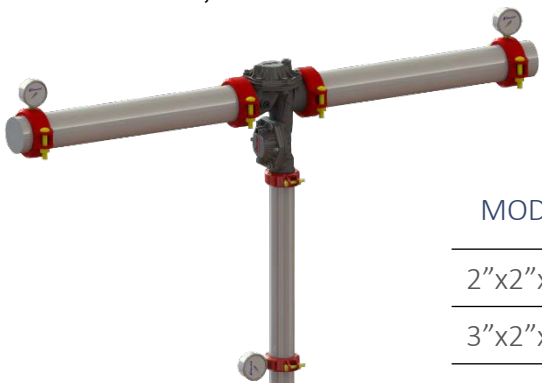
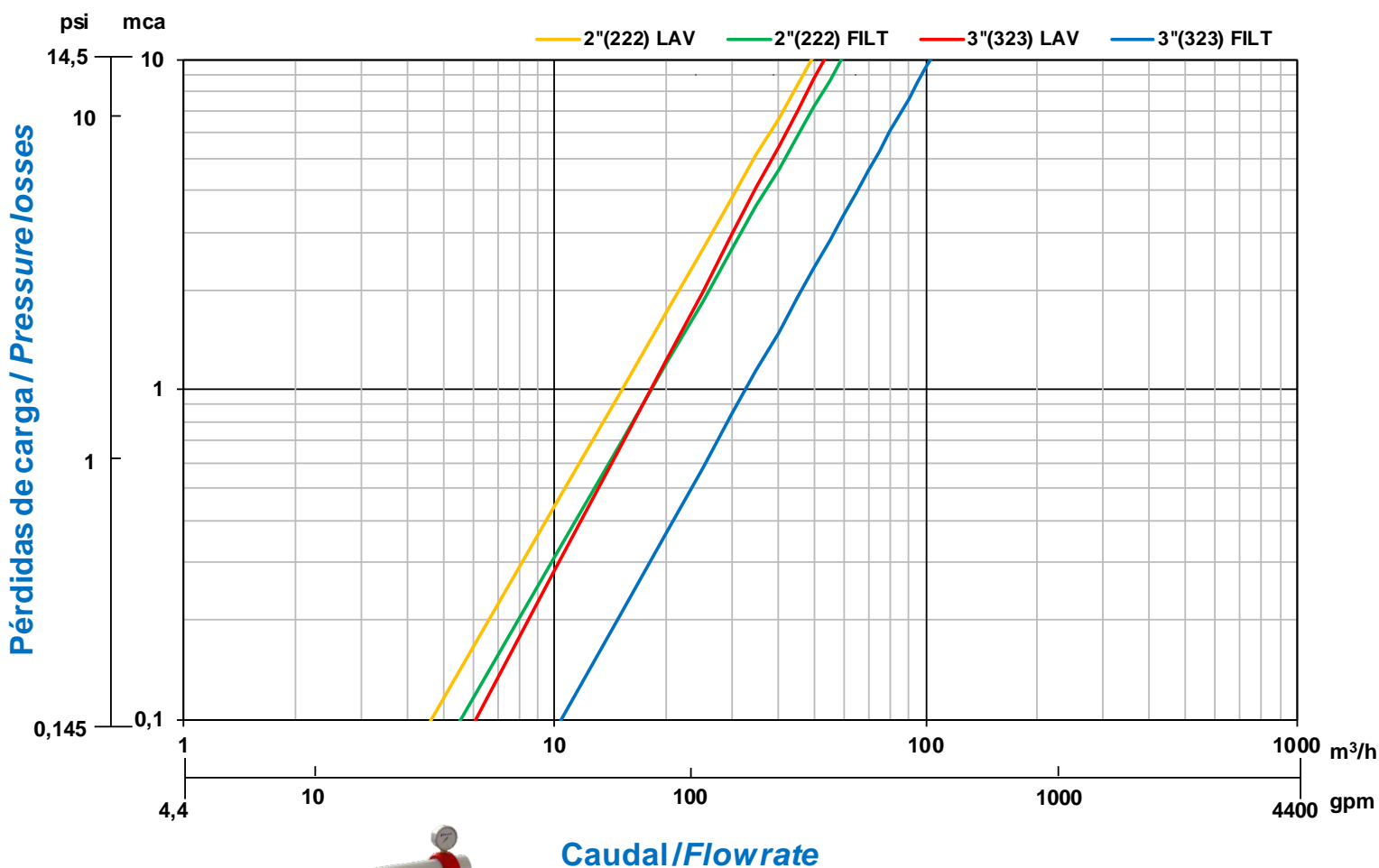


MODEL	CONNECTION	FILTERING KV		WASHING KV	
		m3/h	gpm	m3/h	gpm
3"x2"x3"	FLANGEDxTHREADxFLANGED	170	748,5	78	343

COMETAL hydraulic valves comply with the specifications of the standards UNE-EN 1267 and ISO 9644 in terms of friction head loss tests.

NYLON GROOVED VALVES

COMETAL valves comply with standard grooved specifications.



MODEL	CONNECTION	FILTERING KV		WASHING KV	
		m3/h	gpm	m3/h	gpm
2"x2"x2"	GROOVEDxGROOVEDxGROOVED	60	264.2	50	220.10
3"x2"x3"	GROOVEDxGROOVEDxGROOVED	103	453.5	54	237.8

COMETAL hydraulic valves comply with the specifications of the standards UNE-EN 1267 and ISO 9644 in terms of friction head loss tests.