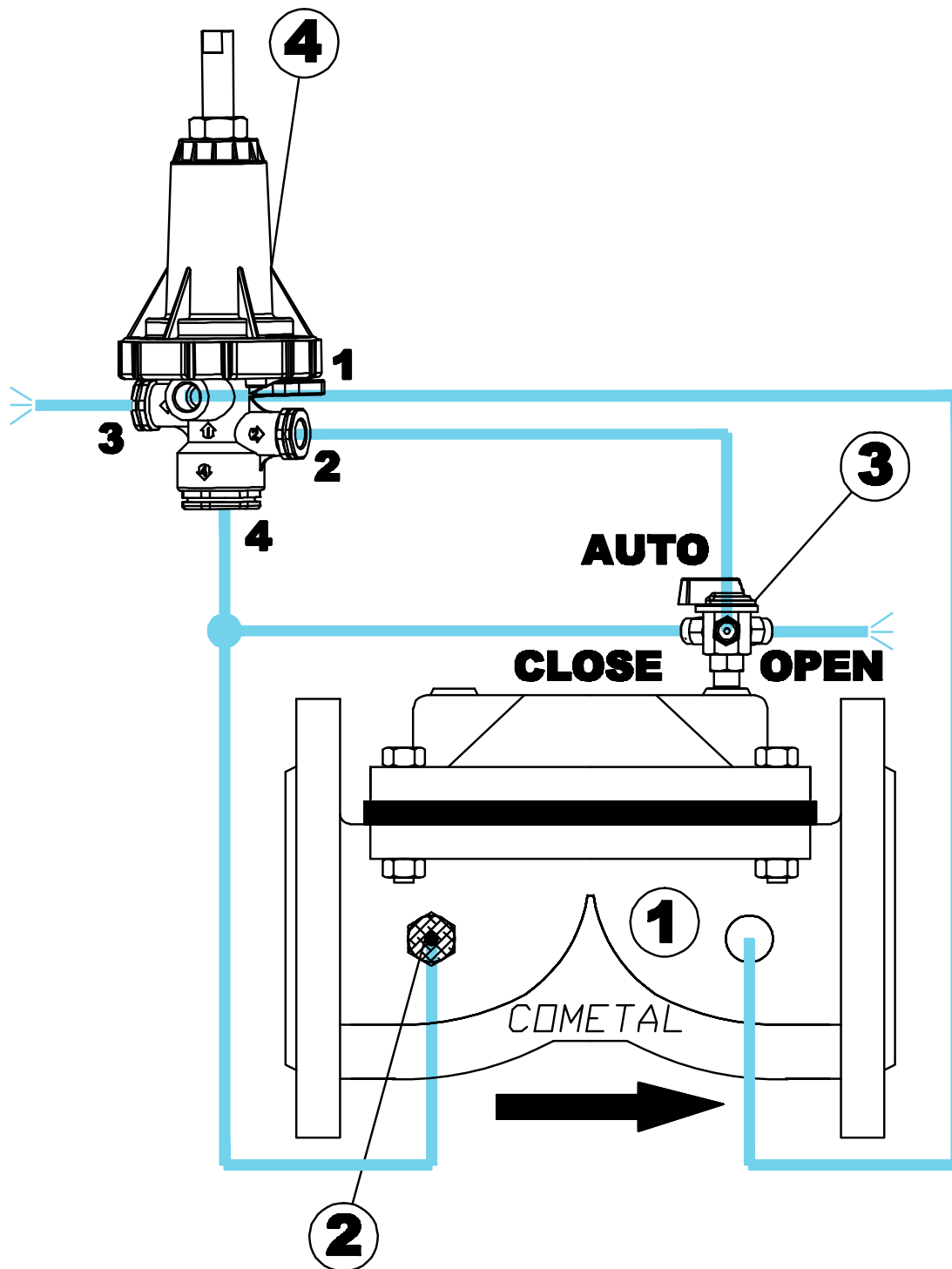


Hydraulic PRESSURE REDUCING kit

FUNCTION: Reduces and maintains constant pressure downstream of the valve, determined in the tare of the pilot. Hydraulic drive.



- 1- Hydraulic valve
- 2- Strainer
- 3- REATON®
- 4- PRAL®