

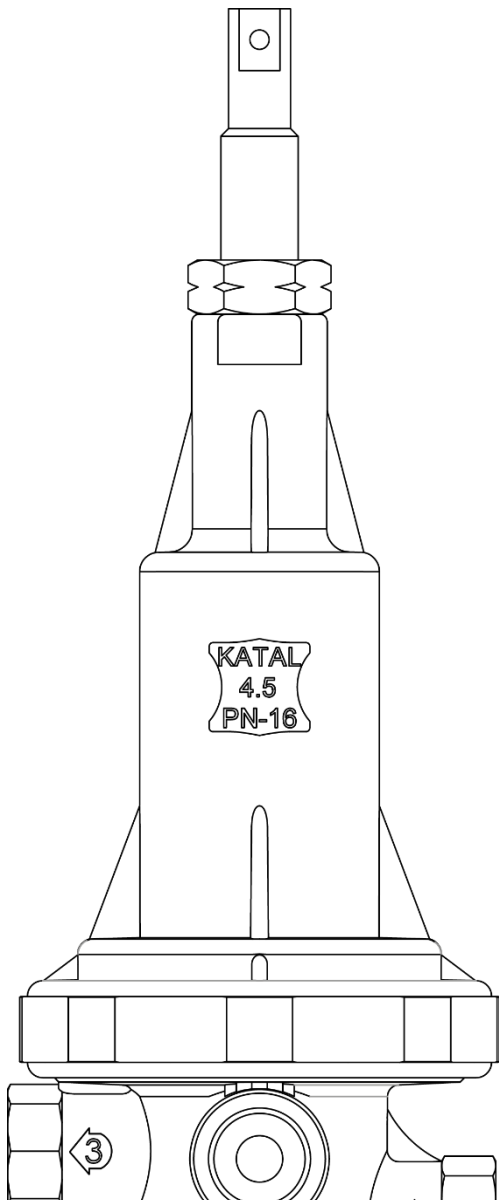
✓ The pressure regulating pilot **KATAL**, is a three-way hydraulic control valve.

✓ Main functions:

Adjust the **differential pressure** of the hydraulic valve, and therefore **limit the flow**.

An **orifice plate** calculated for each situation creates an unique headloss for each volume that you want to limit.

Safety valve: **pipe break control**.



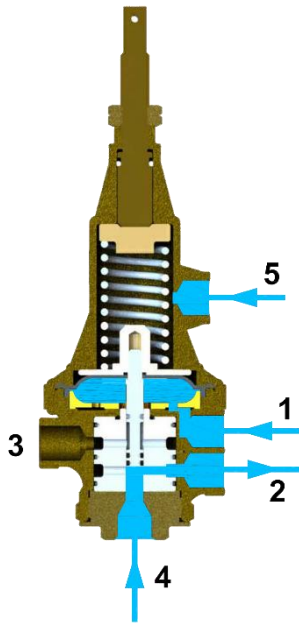
SPECIFICATIONS

- CONNECTIONS : 1/8" threads.
- DESIGN: Three way regulating pilot.
- SIZES RANGE : KATAL® 4,5
- NOMINAL PRESSURE(bar): PN16.
(psi): PN232.

MATERIALS

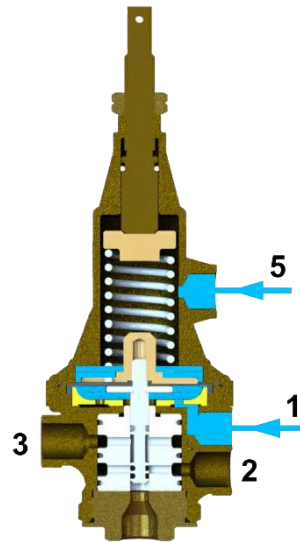
- BODY AND COVER : Brass
- DIAPHRAGM: EPDM
- SPRING: Stainless steel.
- CLOSING ELEMENTS: Teflon and NBR joints.

WORKING SCHEME



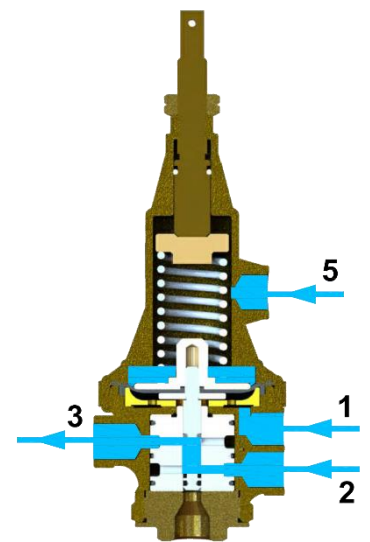
UPPER POSITION

If orifice plate differential pressure exerts a force on the sensors of the pilot (ports 1-5) greater than the force of compression of the spring, ports 2 and 4 are communicated. The valve closes, decreasing flow rate



BALANCE POSITION

If orifice plate differential pressure exerts a force on the sensors of the pilot (ports 1-5) equal to the force of the spring compression, there is no communication between ports.



DOWN POSITION

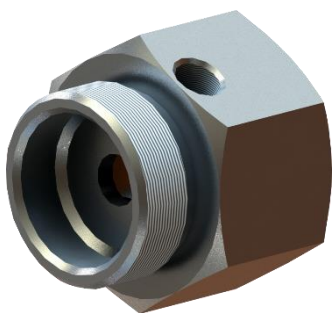
If orifice plate differential pressure exerts a force on the sensors of the pilot (ports 1-5) smaller than the force of compression of the spring, communicate ports 2 and 3. The valve opens, increasing the flow.

DIMENSIONS AND WEIGHTS

MODEL	NOMINAL PRESSURE		INSIDE DIAMETER		ORIFICE PLATE HEADLOSS		WEIGHT
	bar	psi	mm	inch	mca	psi	g
KATAL [®] 4.5	16	232	4,5	0.18	De 2 a 5	De 2.9 a 7.25	800

ORIFICE PLATES

For threaded valves:



For flanged valves:



For grooved valves:

