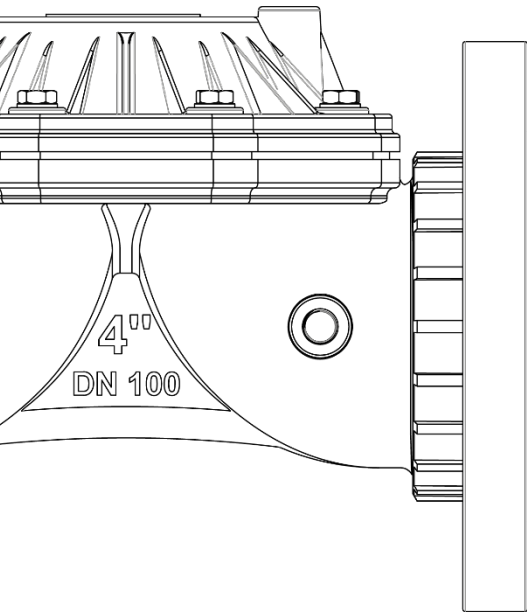


PLASTIC MULTI CONNECTION HYDRAULIC VALVES



- ✓ Great **INSIDE PASSAGE**, with a great capacity for working with large flow rates and very low friction head loss with valve fully open.
- ✓ **TWO NOMINAL PRESSURES**: Two variants of diaphragms and springs according to needs. Standard pressure in irrigation PN10, and for very low pressure (valve open to 4mca) PN04.
- ✓ **MULTI CONNECTION** system allows this valve to adapt to the desired system, being able to choose between three different types of connections using the same body. Ease of assembly/disassembly for installation and maintenance.
- ✓ Alta resistencia mecánica y a la exposición a los rayos ultravioletas e intemperie, confiriéndole una larga vida útil.
- ✓ ONLY SUITABLE FOR AGRICULTURAL USE.

SPECIFICATIONS



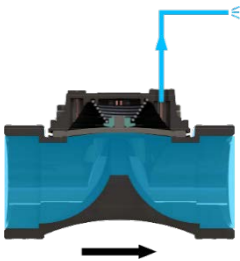
- **CONNECTIONS:** Multi connection:
BSP (NPT under order) Female thread
ISO-7005-2 flanges (ANSI or BS under order)
Grooved
- **DESIGN:** Multi connection.
- **SIZES RANGE:**
Threaded: 4" Flanged: 4" Grooved: 4"
- **NOMINAL PRESSURE (bar):** PN04, PN10.
(psi): PN58, PN145.
- **MINIMUM ACTIVATION PRESSURE:**
PN04: 0,4 bar
PN10: 1,0 bar

MATERIALS

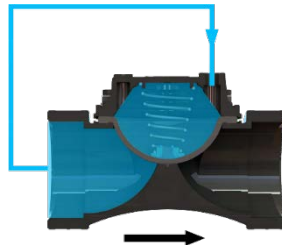
- **BODY AND COVER:** Polyamide with fibre-glass.
High resistance to UV radiation
- **DIAPHRAGM:** Natural rubber reinforced with nylon.
- **SPRING:** Stainless Steel.

WORKING SCHEME

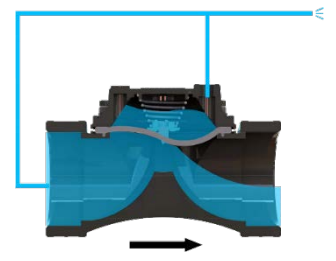
COMETAL hydraulic valves comply with the specifications of the standards **UNE - EN 1074** about valves for the supply of water and **ISO 9635** about irrigation valves with reference to **general requirements, mechanical resistance and watertightness**.



When the sum of the Control Chamber powers is less than the upstream pressure, the valve will open.

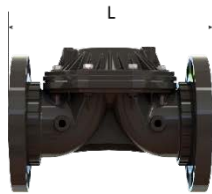


When the sum of the Control Chamber powers is higher or equal than the upstream pressure, the valve will close.



When the Control Chamber is partially full, the valve can be opening, closing or regulating.

MEASUREMENTS AND WEIGHTS



MODEL	CONNECTION	LENGTH (L)		HEIGHT (H)		INSIDE DIAM(ø)	WIDTH (W)		WEIGHT
		mm	pulg	mm	pulg	pulg	mm	pulg	Kg
4"	THREADED	372	14.65	189	7.44	4"	211,5	8.33	4,1
	FLANGED	316	12.44	233,5	9.19	4"	220	8.66	3,2
	GROOVED	372	14.65	189	7.44	4"	221,5	8.30	3,2

MULTI CONNECTION VALVES

COMETAL valves comply with the following standards for threaded connections:

BSP. 7.1 ISO - 228.1 ISO - UNE - EN 10226 - BS-EN 10226. ISO standard and European standards.

NPT. ASME-ANSI B 1.20. American standard.

COMETAL valves comply with the following standards for flanged:

ISO 7005 - DIN - UNE-EN 1092-BS-EN 1092. ISO standard and European standards. **ASME-ANSI B 16.1 - 16.5 B.** American standard.

AS 2129. Australian standard.

COMETAL valves comply with standard grooved specifications.



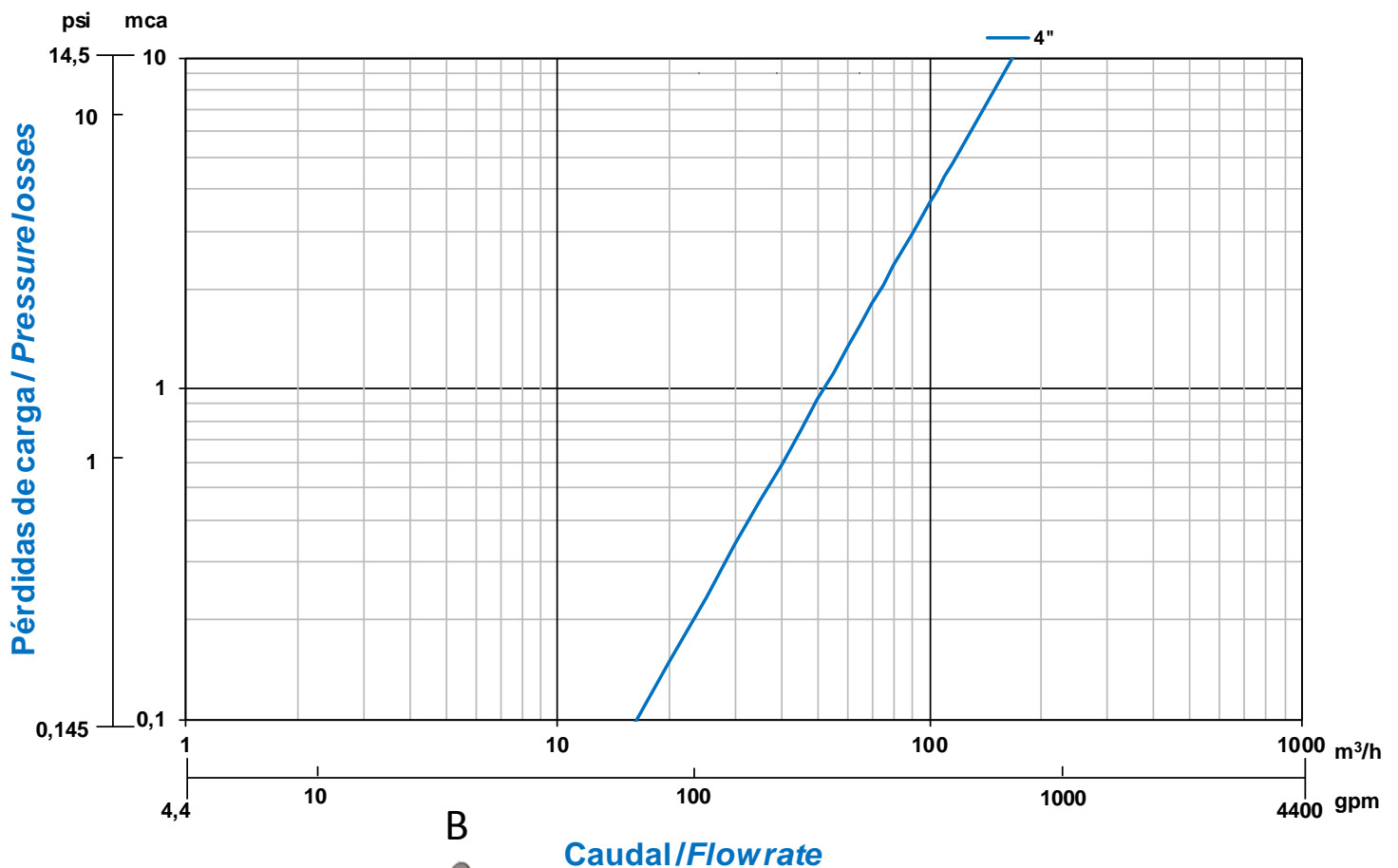
THREAD



FLANGED



GROOVED



Friction Head Loss is measured from A to B.

COMETAL hydraulic valves comply with the specifications of the standards UNE-EN 1267 and ISO 9644 in terms of friction head loss tests.

MODELO	CONNECTION	KV		CONTROL CHAMBER VOLUME
		m3/h	gpm	litres
4"	MULTI CONNECTION	175	770.5	0,70