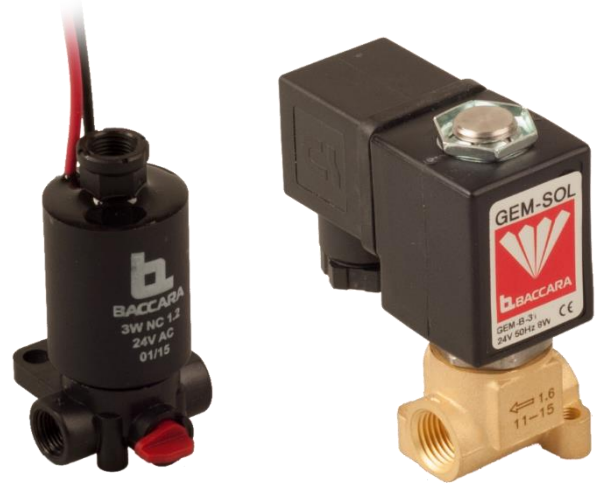


SOLENOIDES

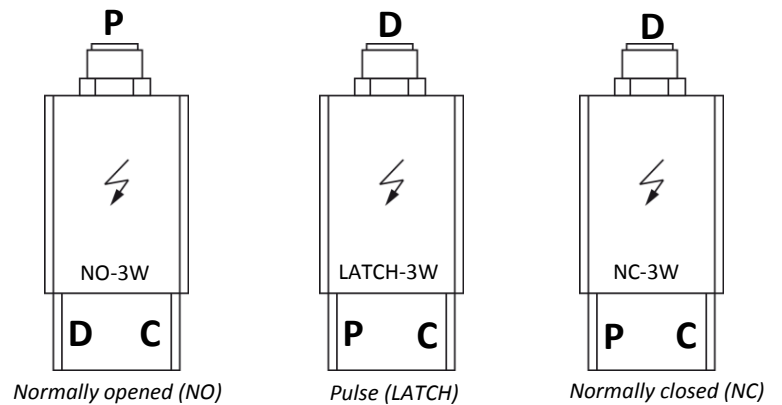
- ✓ The solenoid will allow us to electrically controlled hydraulic valve.
- ✓ ONLY SUITABLE FOR AGRICULTURAL USE



CHARACTERISTICS

Model	Ref	Base materials	Function	Voltage	Power	Inside diameter	Manufacturer
SOLEN.3V CA NA 24V50HZ8W2mm PN10 1/8"	2SL10015	Brass	NO	24 V	AC 8W	2mm	Burkert
SOLEN.3V CA NC 24V50HZ8W2mm PN10 1/8"	2SL10025	Brass	NC	24 V	AC 8W	2mm	Burkert
SOLE.3V CC LATCH12V7W1,5 PN10 1/8"	2SL10035	Brass	LATCH	12 V	DC 5W	2mm	Burkert
SOL.3V CA NA 24V50HZ5.5W2mm PN10 1/8"	2SL10535	Brass	NO	24 V	AC 5.5W	2mm	Baccara
SOL.3V CA NC 24V50HZ5.5W 2mm PN10 1/8 »	2SL10555	Brass	NC	24 V	AC 5.5W	2mm	Baccara
SOLE.3V CC LATCH12V PN10 1/8" LATON	2SL10545	Brass	LATCH	12 V	DC 5.5W	2mm	Baccara
SOLE.3V CA NA 24V50HZ3W1,2 PN10 1/8"	2SL10515	Plastic	NO	24 V	AC 3W	1.2mm	Baccara
SOLE.3V CA NC 24V50HZ3W1,2 PN10 1/8"	2SL10525	Plastic	NC	24 V	AC 3W	1.2mm	Baccara
SOLE.3V CC LATCH12V3W1,2 PN10 1/8"	2SL10505	Plastic	LATCH	12 V	DC 3W	1.2mm	Baccara
SOLEN.3V CA NA 24V50HZ0,1W1,2 PN16 1/8" LARGA DISTANCIA/Long distance	2SL10045	Brass	NO	24 V	AC 0.1W	1.2mm	Baccara

SQUEME



P= pressure C=chamber D=drainage