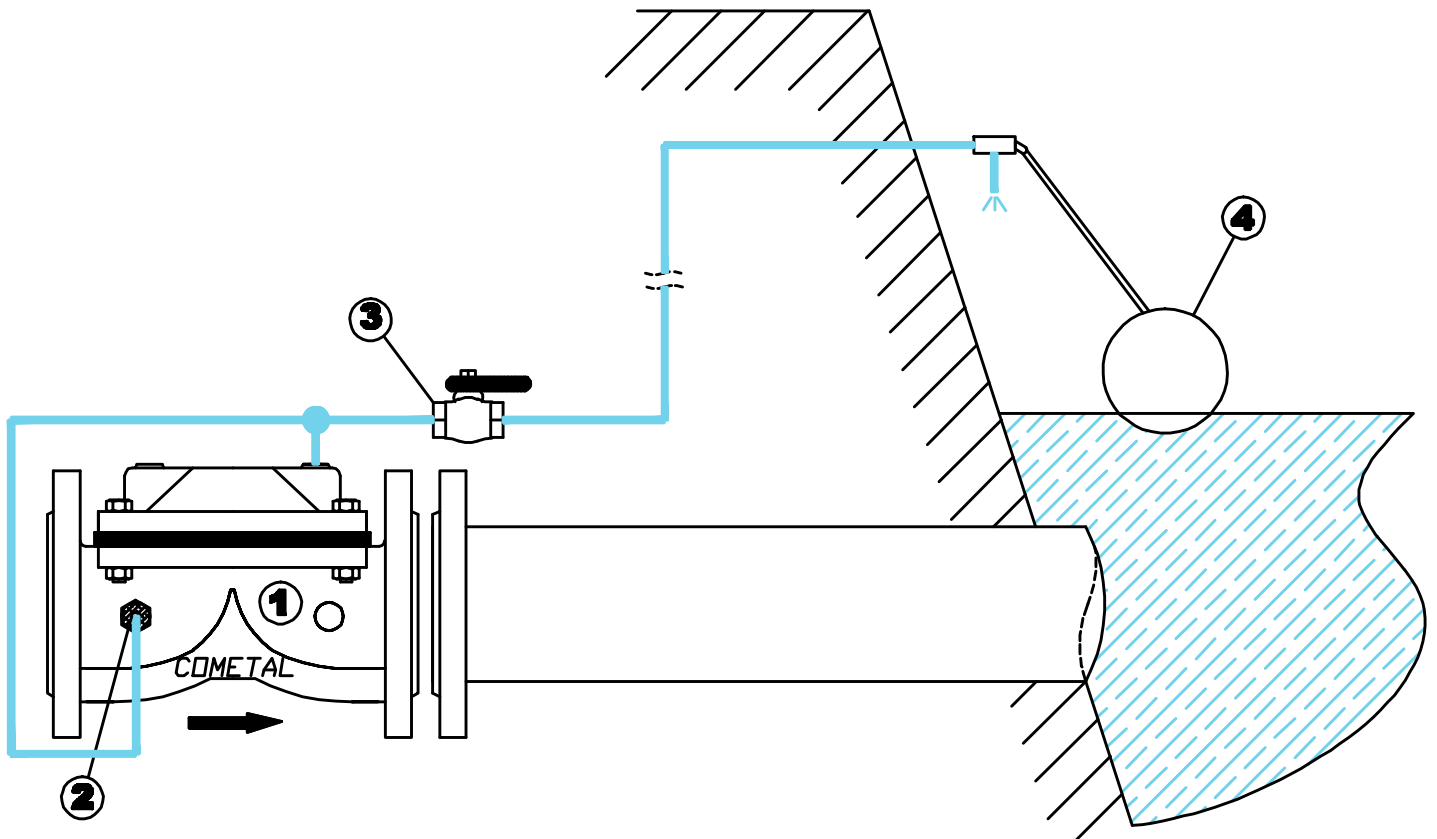


# Standard FLOAT CONTROL kit

FUNCTION: Valve held open the passage of water from filling the tank until it reaches the maximum level marked by buoy.



- 1- Hydraulic valve
- 2- Strainer
- 3- Sphere valve
- 4- Float kit