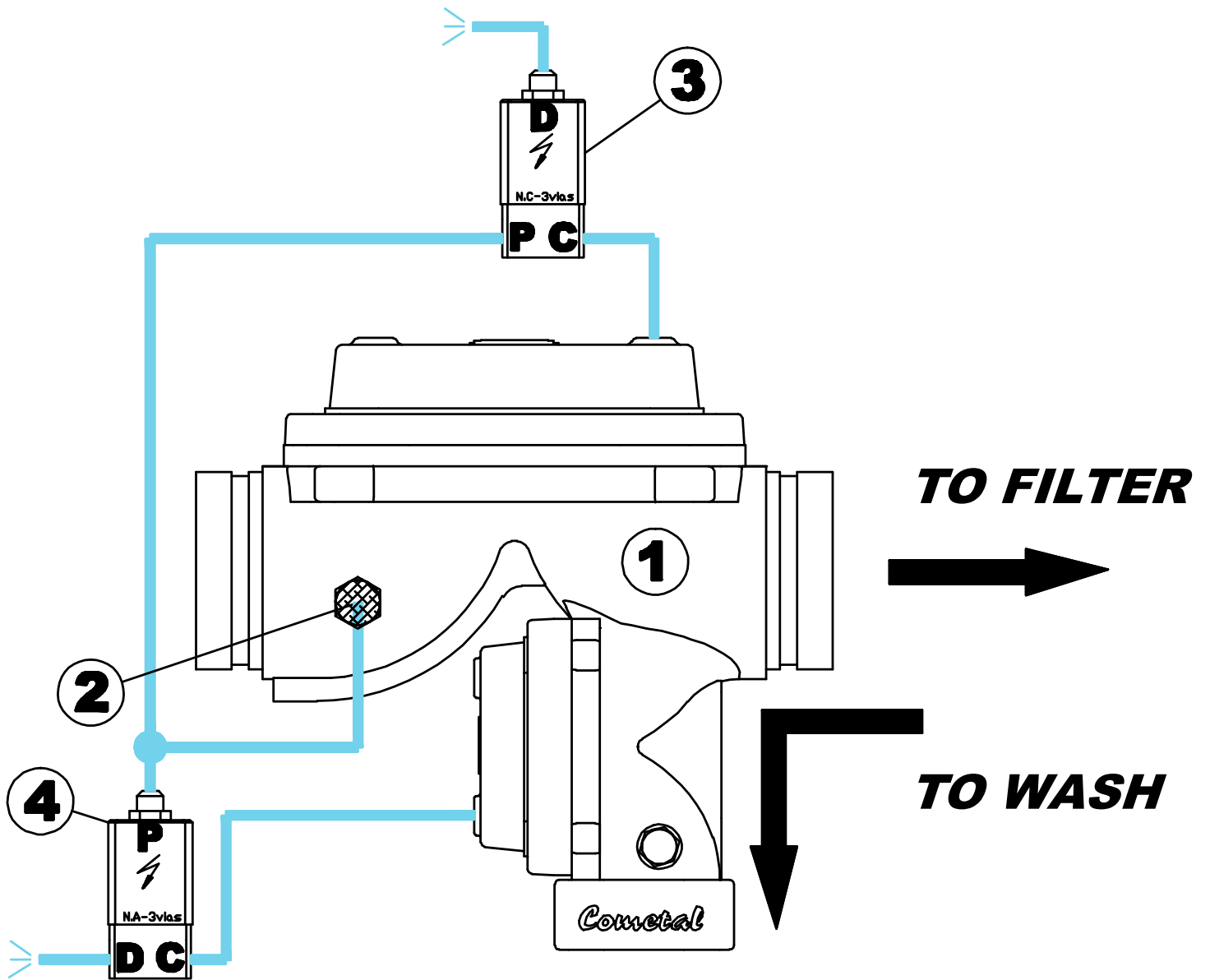


Two signals electrical FILTERING kit

FUNCTION: It allows or interrupts the flow passage to the filter or the drain using the command of two electrical signals



- 1- Hydraulic valve
- 2- Strainer
- 3- NC solenoid
- 4- NO solenoid